

PHASE 1



LEGEND :

NO	LOCATION NAME
1	LACTATION BARN 1
2	FEED PAD BARN
3	RECEPTION PIT (7mL x 7mW x 5mH) + (1x Separator Feed Pump, 1x Agitator)
4	SCREEN
5	THICKENING PIT (3mW x 4mL x 5mH) + (1x Separator Feed Pump, 1x Agitator)
6	DIRECT FEED SCREW PRESS
7	LOADING CONVEYOR
8	PASTEURIZER PHASE 1
9	PASTEURIZER PHASE 2
10	STACKING CONVEYOR
11	SOLID SEPARATED BUNKER
12	SEPARATOR DRAIN LINE
13	FLOATING TRANSFER PUMP
14	PONDS 1
15	PONDS 2
16	DIGESTER/LAGOON 1 (120x40x5m)
17	RAIN WATER STORAGE (120x40x5m)
18	FLUSH FEED LINE
19	RAIN WATER - PE PIPE 300mm
20	RAIN WATER - PE PIPE 600mm
21	EFFLUENT DRAINAGE
22	MAIN COW LANES
23	TRUCK/TRACTOR ROADS
24	EXISTING FEED CENTER
25	EXISTING MILKING PARLOUR
26	EXISTING CALF BARN
27	FRESH WATER
28	DIGESTER INLET PIT (1 x Flush Pump)
29	TOP UP TRANSFER LINE
30	DIGESTER OUTLET PIT (1 x Irrigation Pump)
31	IRIGATON FEED LINE
32	STROM WATER DRAIN PIPE



REVISION	1	2	3	4	5
	15 - 08 - 2025	02 - 09 - 2025	10 - 10 - 2025	01 - 11 - 2025	08 - 12 - 2025
	6	7	8	9	10
	16 - 12 - 2025	15 - 01 - 2026	22 - 01 - 2026	06 - 02 - 2026	

PROJECT :
UNION PASTORAL
 393 Cooramook Rd
 Grassmere VIC 3281
 Australia

DRAWING TITLE :
 Masterplan (Phase 1)
 Google Maps Overviews



PT. AGRI SERVIS SAKTI
 DAIRY CONSULTANT & EQUIPMENT
 agriservis@yahoo.com
 Perum Bukit Hijau Blok B Kav. 39 Tlogomas, Malang
 Tel:+62 341 553515, Fax:+62 341 557430

FILE NAME : Masterplan Union Pastrol (06-02-26)1.dwg

SCALE	-								
DRAWN	AP								
CHECKED BY	BRENDAN COLLINS								
APPROVED BY									
DRAWING NO :	A - MPL - GMP1								
1	2	3	4	5	6	7	8	9	10

PHASE 2

LEGEND :

NO	LOCATION NAME
1	LACTATION BARN 1
2	LACTATION BARN 2
3	RECEPTION PIT (7mL x 7mW x 5mH) + (1x Separator Feed Pump, 1x Agitator)
4	SCREEN
5	THICKENING PIT (3mW x 4mL x 5mH) + (1x Separator Feed Pump, 1x Agitator)
6	DIRECT FEED SCREW PRESS
7	LOADING CONVEYOR
8	PASTEURIZER PHASE 1
9	PASTEURIZER PHASE 2
10	STACKING CONVEYOR
11	SOLID SEPARATED BUNKER
12	SEPARATOR DRAIN LINE
13	FLOATING TRANSFER PUMP
14	PONDS 1
15	PONDS 2
16	DIGESTER/LAGOON 1 (120x40x5m)
17	LAGOON 2 (120x40x5m)
18	FLUSH FEED LINE
19	RAIN WATER - PE PIPE 300mm
20	RAIN WATER - PE PIPE 600mm
21	EFFLUENT DRAINAGE
22	MAIN COW LANES
23	TRUCK/TRACTOR ROADS
24	EXISTING FEED CENTER
25	EXISTING MILKING PARLOUR
26	EXISTING CALF BARN
27	FRESH WATER
28	DIGESTER INLET PIT (1 x Flush Pump)
29	TOP UP TRANSFER LINE
30	DIGESTER OUTLET PIT (1 x Irrigation Pump)
31	IRIGATON FEED LINE
32	STROM WATER DRAIN PIPE
33	MILKING PARLOUR FLUSH LINE
34	OVERFLOW LINE
35	LACTATION BARN 3
36	LACTATION BARN 4
37	NORTH ROTARY 60 BAILS MILKING PARLOUR
38	NORTH RECYCLING PIT (7mL x 7mW x 5mH) + (1x Transfer Pump, 1x Flush Pump)



300 m

REVISION	1	01 - 11 - 2025	2	06 - 02 - 2026
	2	08 - 12 - 2025	3	
	3	16 - 12 - 2025	4	
	4	15 - 01 - 2026	5	
	5	22 - 01 - 2026	6	

PROJECT : **UNION PASTORAL**
 393 Cooramook Rd
 Grassmere VIC 3281
 Australia

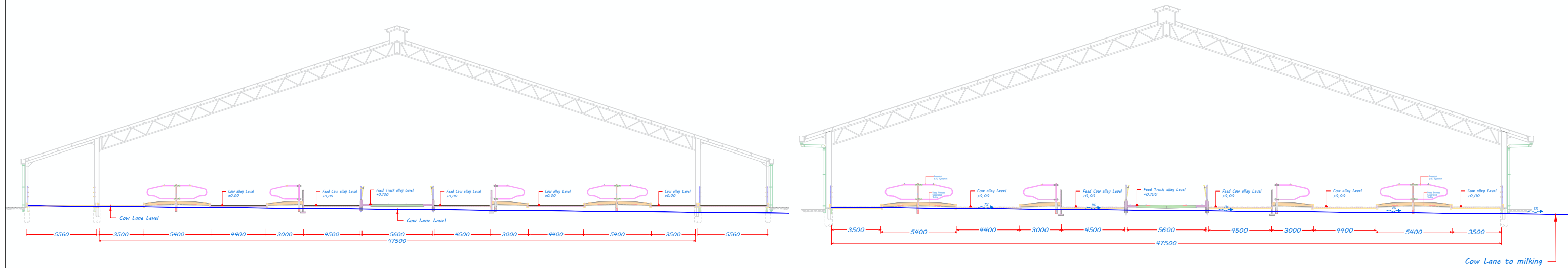
DRAWING TITLE : **Masterplan (Phase 2)**
 Google Maps Overviews



PT. AGRI SERVIS SAKTI
 DAIRY CONSULTANT & EQUIPMENT
 agriservis@yahoo.com
 Perum Bukit Hijau Blok B Kav. 39 Tlogomas, Malang
 Tel:+62 341 553515, Fax:+62 341 557430

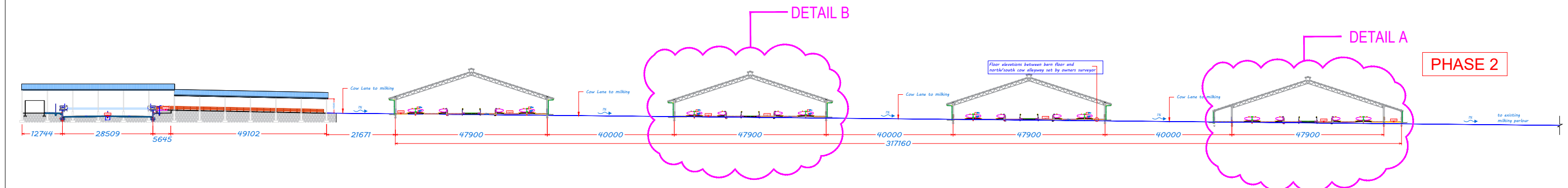
FILE NAME : Masterplan Union Pastrol (06-02-26)1.dwg

SCALE	-
DRAWN	AP
CHECKED BY	BRENDAN COLLINS
APPROVED BY	
DRAWING NO :	A - MPL - GMP2
1	2
3	4
5	6
7	8
9	10

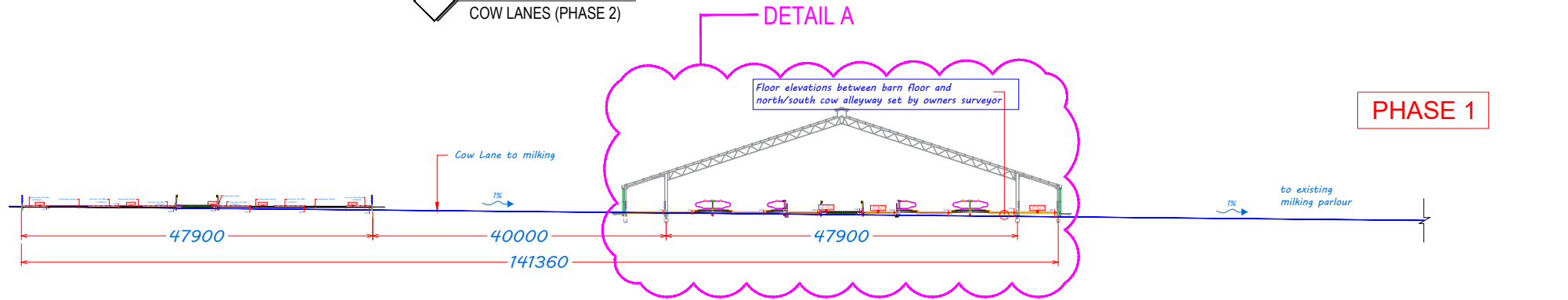


DETAIL A (BARN 1)
COW LANE vs COW ALLEY LEVEL

DETAIL B (BARN 2-4)
COW LANE vs COW ALLEY LEVEL



SECTION 3-3
COW LANES (PHASE 2)



SECTION 3-3
COW LANES (PHASE 1)

REVISION	1	08 - 12 - 2025	6
	2	15 - 01 - 2026	7
	3	06 - 02 - 2026	8
	4		9
	5		10

PROJECT : **UNION PASTORAL**
393 Cooramook Rd
Grassmere VIC 3281
Australia

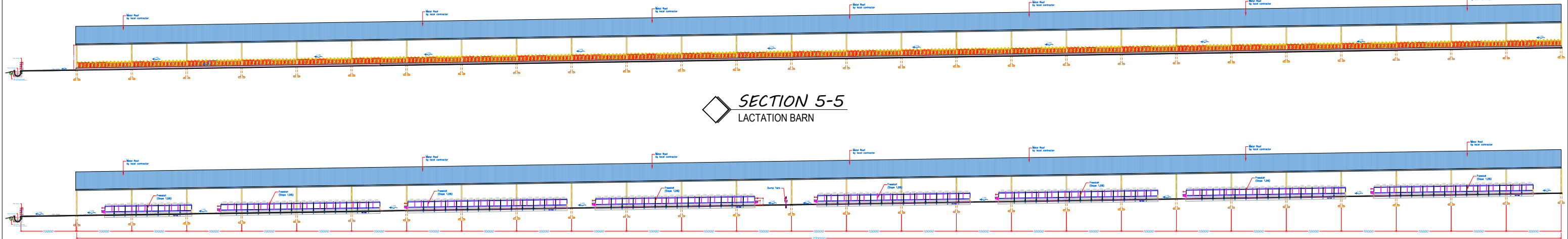
DRAWING TITLE : **SECTION 3-3**
COW LANES VS COW ALLEY LEVEL



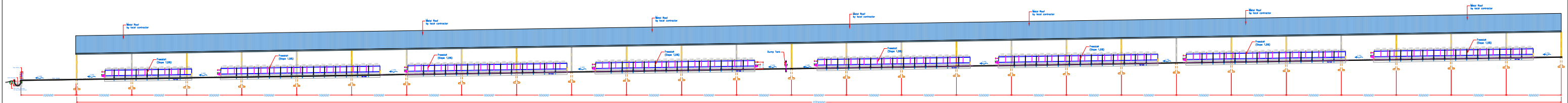
PT. AGRI SERVIS SAKTI
DAIRY CONSULTANT & EQUIPMENT
agriservis@yahoo.com
Perum Bukit Hijau Blok B Kav. 39 Tlogomas, Malang
Tel:+62 341 553515, Fax:+62 341 557430

SCALE	-
DRAWN	AP
CHECKED BY	BRENDAN COLLINS
APPROVED BY	
DRAWING NO :	C - SEC - 04
1	2
3	4
5	6
7	8
9	10

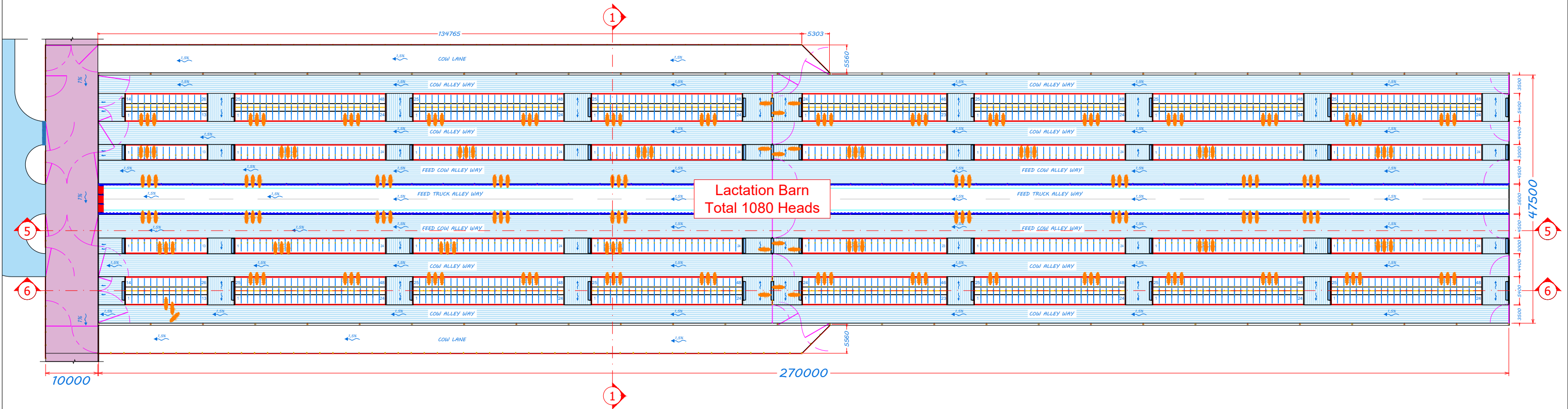
FILE NAME : Masterplan Union Pastrol (06-02-26)1.dwg



SECTION 5-5
LACTATION BARN



SECTION 6-6
LACTATION BARN



PLAN
LACTATION BARN

REVISION	1	14 - 08 - 2025	6	06 - 02 - 2026
	2	02 - 09 - 2025	7	
	3	01 - 11 - 2025	8	
	4	19 - 11 - 2025	9	
	5	08 - 12 - 2025	10	

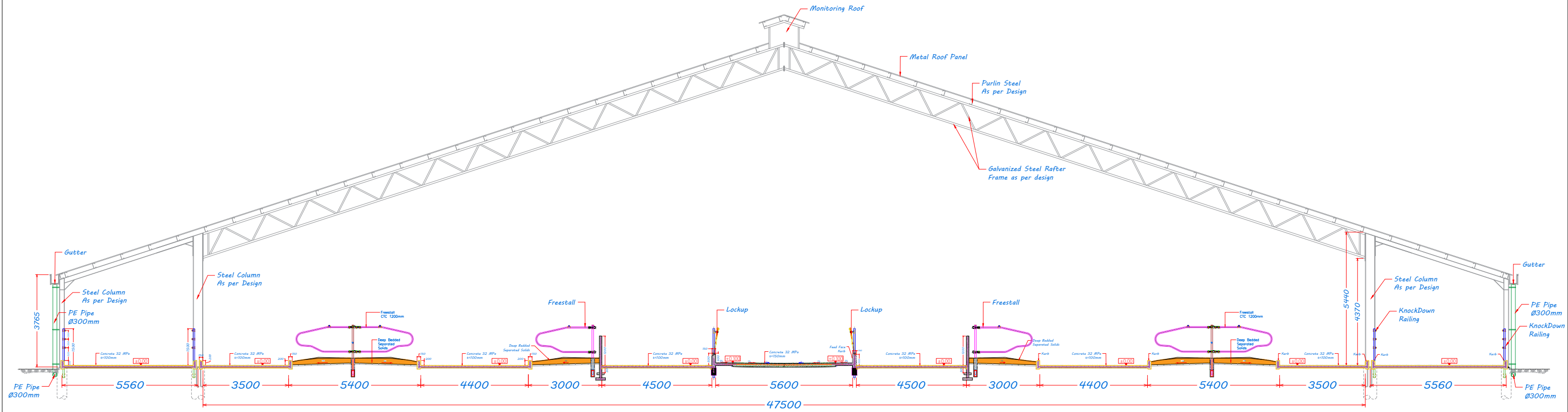
PROJECT :
UNION PASTORAL
393 Cooramook Rd
Grassmere VIC 3281
Australia

DRAWING TITLE :
Lactation Barn 1
1080 Heads (PHASE 1)




PT. AGRI SERVIS SAKTI
DAIRY CONSULTANT & EQUIPMENT
agriservis@yahoo.com
Perum Bukit Hijau Blok B Kav. 39 Tlogomas, Malang
Tel:+62 341 553515, Fax:+62 341 557430

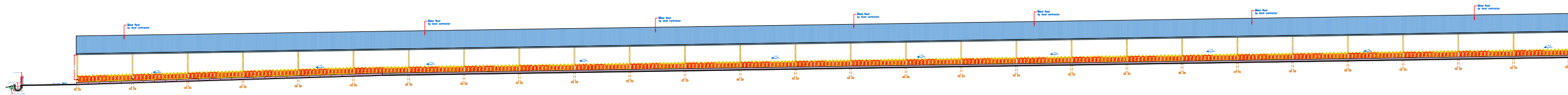
SCALE	-
DRAWN	AP
CHECKED BY	BRENDAN COLLINS
APPROVED BY	
DRAWING NO :	C - PL - 01
1	2
3	4
5	6
7	8
9	10



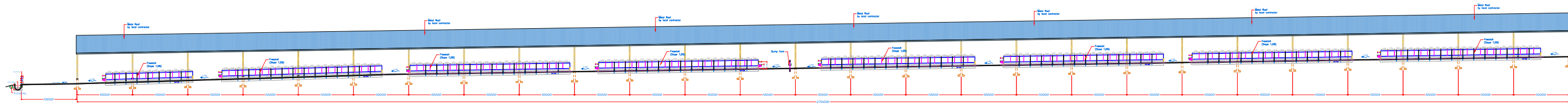
SECTION 1-1
LACTATION BARN

Note :
Freestall and Lockup Specification/Installement reference Vendor and Supplier

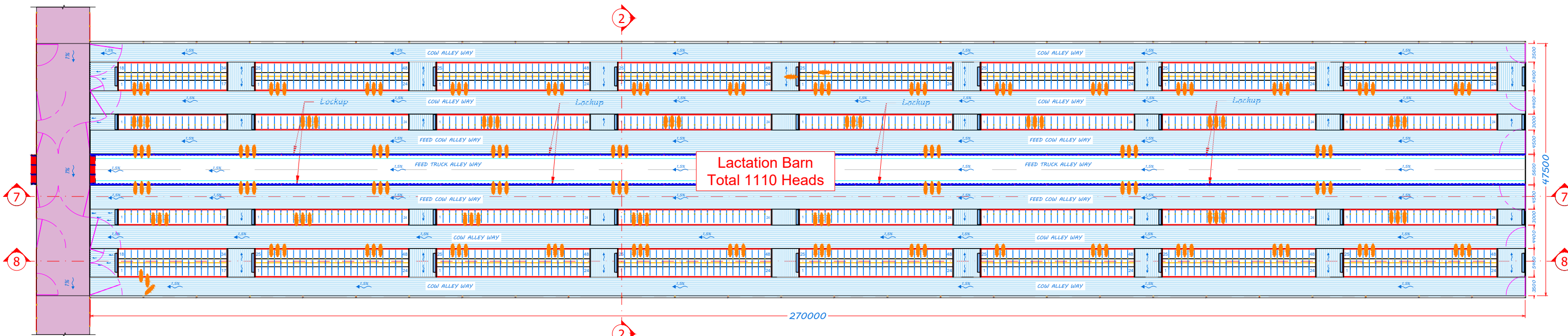
REVISION	1	14 - 08 - 2025	6	PROJECT : UNION PASTORAL 393 Cooramook Rd Grassmere VIC 3281 Australia		PT. AGRI SERVIS SAKTI DAIRY CONSULTANT & EQUIPMENT agriservis@yahoo.com Perum Bukit Hijau Blok B Kav. 39 Tlogomas, Malang Tel:+62 341 553515, Fax:+62 341 557430	SCALE	-								
	2	10 - 11 - 2025	7				DRAWN	AP								
	3	02 - 12 - 2025	8				CHECKED BY	BRENDAN COLLINS								
	4		9				APPROVED BY									
	5		10				DRAWING NO :	C - SEC - 01								
DRAWING TITLE : Section 1-1 Lactation Barn					FILE NAME : Masterplan Union Pastrol (06-02-26)1.dwg											
							1	2	3	4	5	6	7	8	9	10



SECTION 7-7
LACTATION BARN



SECTION 8-8
LACTATION BARN



PLAN BARN 2-4
LACTATION BARN (PHASE 2)

REVISION	1	08 - 12 - 2025	6
	2	11 - 12 - 2025	7
	3	06 - 02 - 2026	8
	4		9
	5		10

PROJECT :
UNION PASTORAL
393 Cooramook Rd
Grassmere VIC 3281
Australia

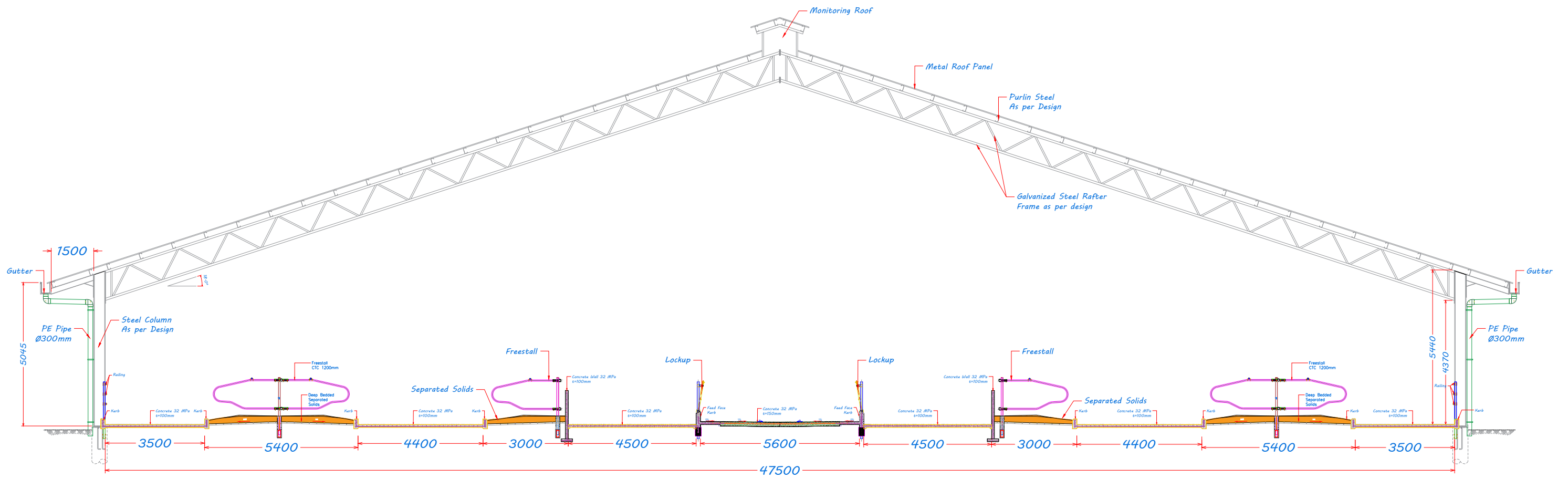
DRAWING TITLE :
Lactation Barn 2 - 4
1080 Heads (PHASE 2)



PT. AGRI SERVIS SAKTI
DAIRY CONSULTANT & EQUIPMENT
agriservis@yahoo.com
Perum Bukit Hijau Blok B Kav. 39 Tlogomas, Malang
Tel:+62 341 553515, Fax:+62 341 557430


SCALE	-								
DRAWN	AP								
CHECKED BY	BRENDAN COLLINS								
APPROVED BY									
DRAWING NO :	C - PL - 02								
1	2	3	4	5	6	7	8	9	10

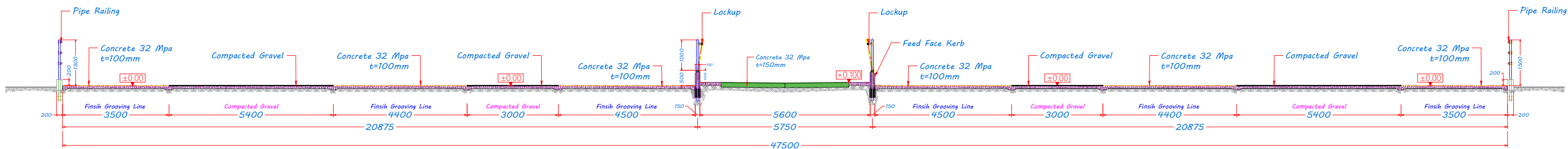
FILE NAME : Masterplan Union Pastrol (06-02-26)1.dwg



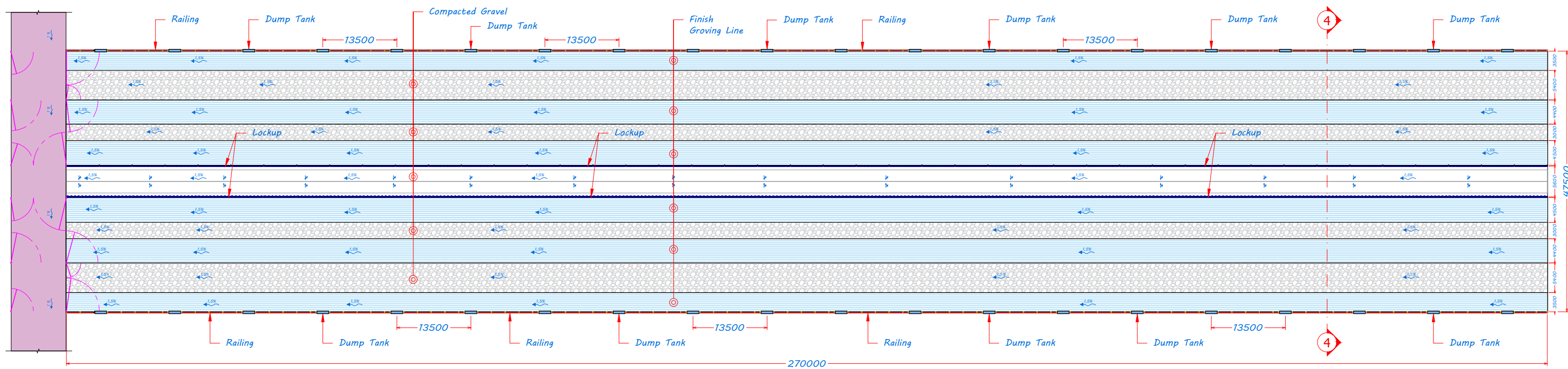
SECTION 2-2
LACTATION BARN 2-4

Note :
Freestall and Lockup Specification/Installement reference Vendor and Supplier

REVISION	1	20 - 11 - 2025	6	PROJECT :	UNION PASTORAL 393 Cooramook Rd Grassmere VIC 3281 Australia		PT. AGRI SERVIS SAKTI DAIRY CONSULTANT & EQUIPMENT agriservis@yahoo.com Perum Bukit Hijau Blok B Kav. 39 Tlogomas, Malang Tel:+62 341 553515, Fax:+62 341 557430	SCALE	-								
	2		7					DRAWN	AP								
	3		8					CHECKED BY	BRENDAN COLLINS								
	4		9					APPROVED BY									
	5		10					DRAWING NO :	C - SEC - 03								
DRAWING TITLE :					Section 2-2 Lactation Barn 2-4	FILE NAME :	Masterplan Union Pastrol (06-02-26)1.dwg	1	2	3	4	5	6	7	8	9	10



SECTION 4-4
FEED PAD



PLAN
FEED PAD

REVISION	1	20 - 11 - 2025	6
	2	06 - 02 - 2026	7
	3		8
	4		9
	5		10

PROJECT :
UNION PASTORAL
393 Cooramook Rd
Grassmere VIC 3281
Australia

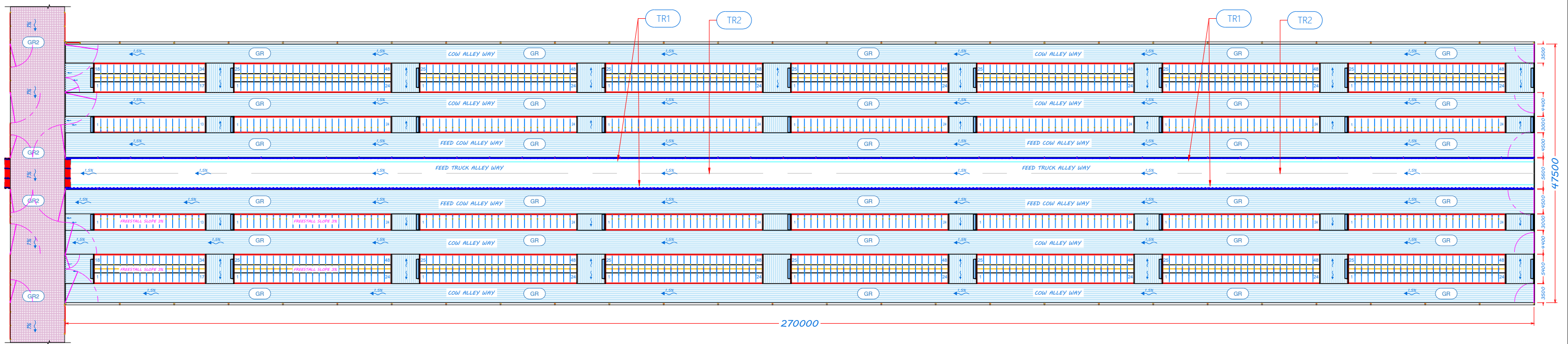
DRAWING TITLE :
**PLAN AND SECTION
FEED PAD**



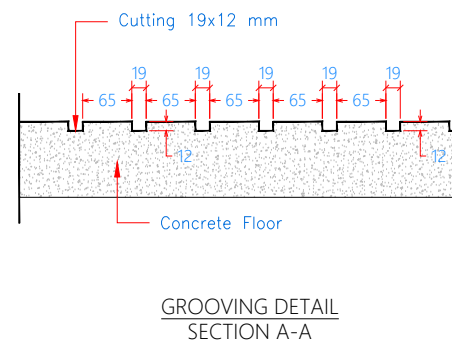
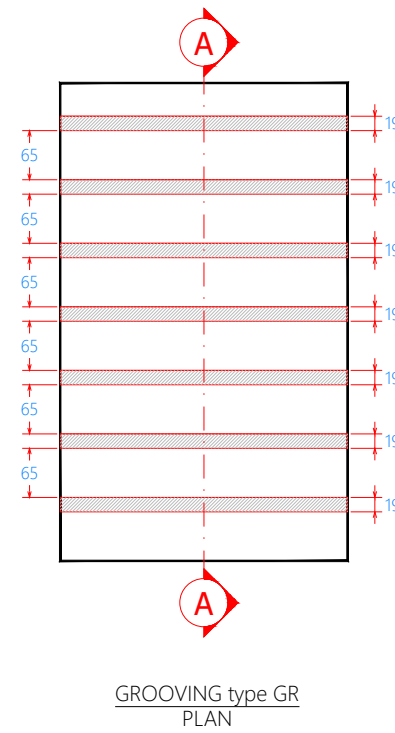
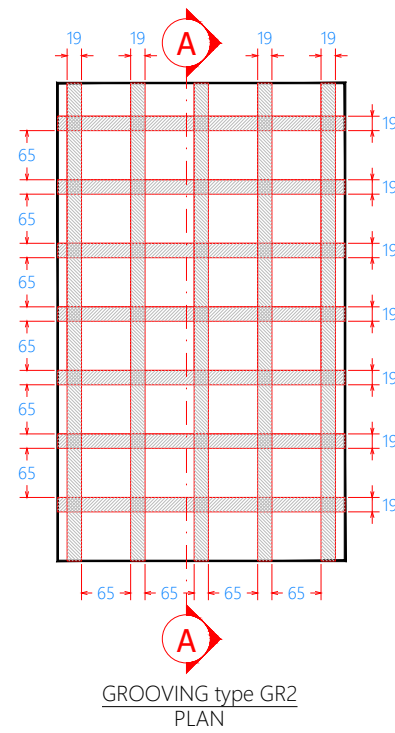
PT. AGRI SERVIS SAKTI
DAIRY CONSULTANT & EQUIPMENT
agriservis@yahoo.com
Perum Bukit Hijau Blok B Kav. 39 Tlogomas, Malang
Tel: +62 341 553515, Fax: +62 341 557430

SCALE	-
DRAWN	AP
CHECKED BY	BRENDAN COLLINS
APPROVED BY	
DRAWING NO :	C - PL - 03
	1 2 3 4 5 6 7 8 9 10

FILE NAME : Masterplan Union Pastrol (06-02-26)1.dwg



FLOOR FINISH & SLOPE PLAN
LACTATION BARN 2 - 4



LEGEND :

NO	KODE	SYMBOL	DESCRIPTIONS
1	GR		Typical Slope 1,5% Cutting 19x12 mm per 65 mm Concrete 32 MPa, t=100 mm
3	GR2		Parlour Alley Way Slope 1% Cross Cutting 19x12 mm per 65 mm Concrete 32 MPa, t=100 mm
4	TR1		Concrete 32 MPa, t=100 mm Finish Smooth Trowel Typical Slope 1,5% Slope to center road 0%
5	TR2		Concrete 32 MPa, t=150 mm Finish Smooth Trowel Typical Slope 1,5% Slope to center road 1%

REVISION	1	26 - 11 - 2025	6
	2	08 - 12 - 2025	7
	3	06 - 02 - 2026	8
	4		9
	5		10

PROJECT :	UNION PASTORAL 393 Cooramook Rd Grassmere VIC 3281 Australia
DRAWING TITLE :	Floor Finish & Slope Plan Lactation Barn 2 - 4

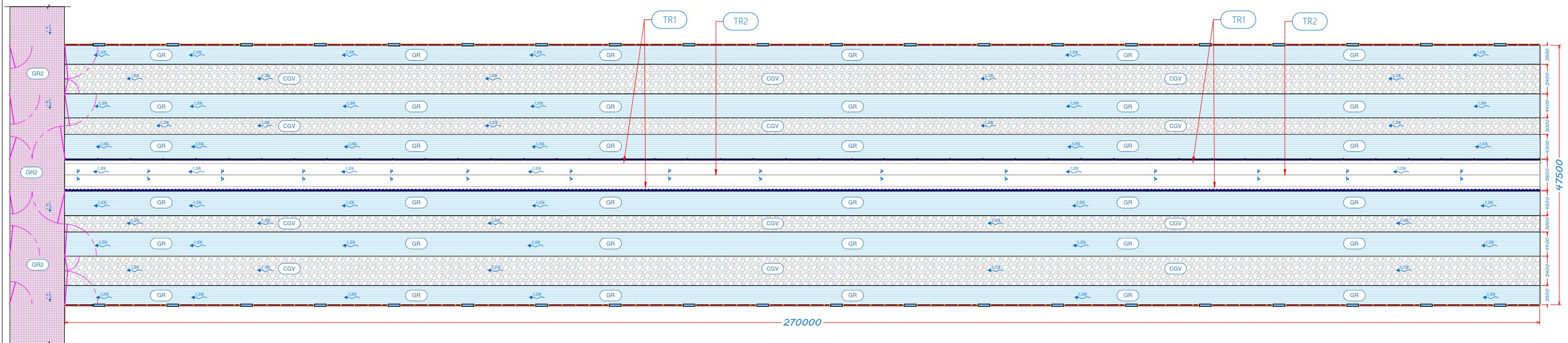
PT. AGRI SERVIS SAKTI

DAIRY CONSULTANT & EQUIPMENT
agriservis@yahoo.com
Perum Bukit Hijau Blok B Kav. 39 Tlogomas, Malang
Tel:+62 341 553515, Fax:+62 341 557430

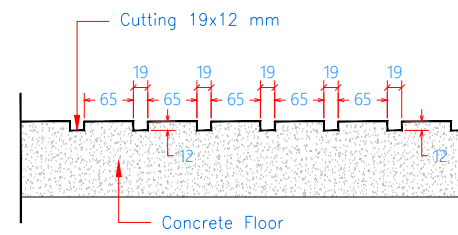
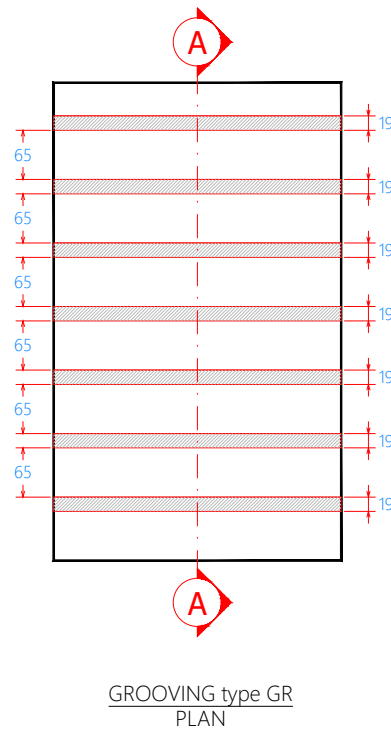
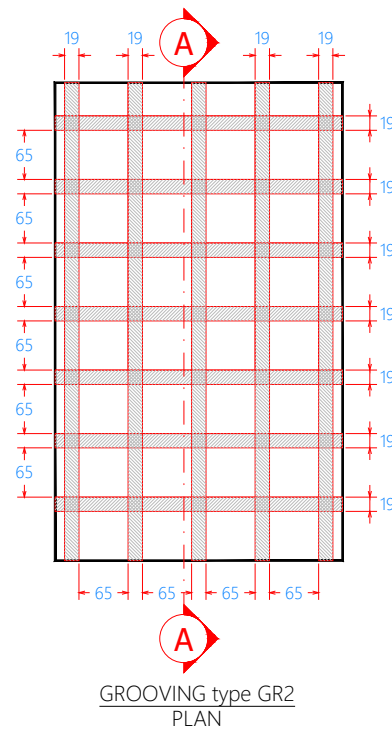
FILE NAME : Masterplan Union Pastrol (06-02-26)1.dwg

SCALE	-
DRAWN	AP
CHECKED BY	BRENDAN COLLINS
APPROVED BY	
DRAWING NO :	C - PL - FL01

1	2	3	4	5	6	7	8	9	10
---	---	---	---	---	---	---	---	---	----



FLOOR FINISH & SLOPE PLAN
LACTATION BARN



LEGEND :

NO	KODE	SYMBOL	DESCRIPTIONS
1	GR		Typical Slope 1,5% Cutting 19x12 mm per 65 mm Concrete 32 MPa, t=100 mm
3	GR2		Parlour Alley Way Slope 1% Cross Cutting 19x12 mm per 65 mm Concrete 32 MPa, t=100 mm
4	TR1		Concrete 32 MPa, t=100 mm Finish Smooth Trowel Typical Slope 1,5% Slope to center road 0%
5	TR2		Concrete 32 MPa, t=150 mm Finish Smooth Trowel Typical Slope 1,5% Slope to center road 1%
6	CGV		Finish Compacted Gravel, t=±100mm Typical Slope 1,5%

REVISION	1	26 - 11 - 2025	6
	2	08 - 12 - 2025	7
	3	06 - 02 - 2026	8
	4		9
	5		10

PROJECT :	UNION PASTORAL 393 Cooramook Rd Grassmere VIC 3281 Australia
DRAWING TITLE :	Floor Finish & Slope Plan Feed Pad

PT. AGRI SERVIS SAKTI
DAIRY CONSULTANT & EQUIPMENT
agriservis@yahoo.com
Perum Bukit Hijau Blok B Kav. 39 Tlogomas, Malang
Tel:+62 341 553515, Fax:+62 341 557430

FILE NAME : Masterplan Union Pastrol (06-02-26)1.dwg

SCALE	-
DRAWN	AP
CHECKED BY	BRENDAN COLLINS
APPROVED BY	
DRAWING NO :	C - PL - FL02

1	2	3	4	5	6	7	8	9	10
---	---	---	---	---	---	---	---	---	----

PHASE 1

LEGEND :

NO	LOCATION NAME
1	RECEPTION PIT (7mL x 7mW x 5mH) + (1x Separator Feed Pump, 1x Agitator)
2	SCREEN
3	THICKENING PIT (3mW x 4mL x 5mH) + (1x Separator Feed Pump, 1x Agitator)
4	DIRECT FEED SCREW PRESS
5	LOADING CONVEYOR
6	PASTEURIZER PHASE 1
7	PASTEURIZER PHASE 2
8	STACKING CONVEYOR
9	SOLID SEPARATED BUNKER
10	SEPARATOR DRAIN LINE
11	DIGESTER INLET PIT (1x Flush Pump)
12	PONDS 1
13	PONDS 2
14	FLOATING TRANSFER PUMP
15	TOP UP TRANSFER LINE
16	DIGESTER/LAGOON 1 (120x40x5m)
17	RAIN WATER STORAGE (120x40x5m)
18	FLUSH FEED LINE
19	DIGESTER OUTLET PIT (1x Irrigation Pump)
20	IRIGATON FEED LINE
21	FRESH WATER
22	STROM WATER DRAIN PIPE

LEGEND :

	: PE Pipe Ø300 (Rain Water Drainage)
	: PE Pipe Ø600 (Rain Water Drainage)
	: Effluent
	: Flushing Line



REVISION	1	28 - 11 - 2025	6
	2	08 - 12 - 2025	7
	3	16 - 12 - 2025	8
	4	15 - 01 - 2026	9
	5		10

PROJECT :

UNION PASTORAL
393 Cooramook Rd
Grassmere VIC 3281
Australia

DRAWING TITLE :

**Effluent & Rain Water Pipe
Plan (PHASE 1)**



PT. AGRI SERVIS SAKTI
DAIRY CONSULTANT & EQUIPMENT
agriservis@yahoo.com
Perum Bukit Hijau Blok B Kav. 39 Tlogomas, Malang
Tel:+62 341 553515, Fax:+62 341 557430

FILE NAME : Masterplan Union Pastrol (06-02-26)1.dwg

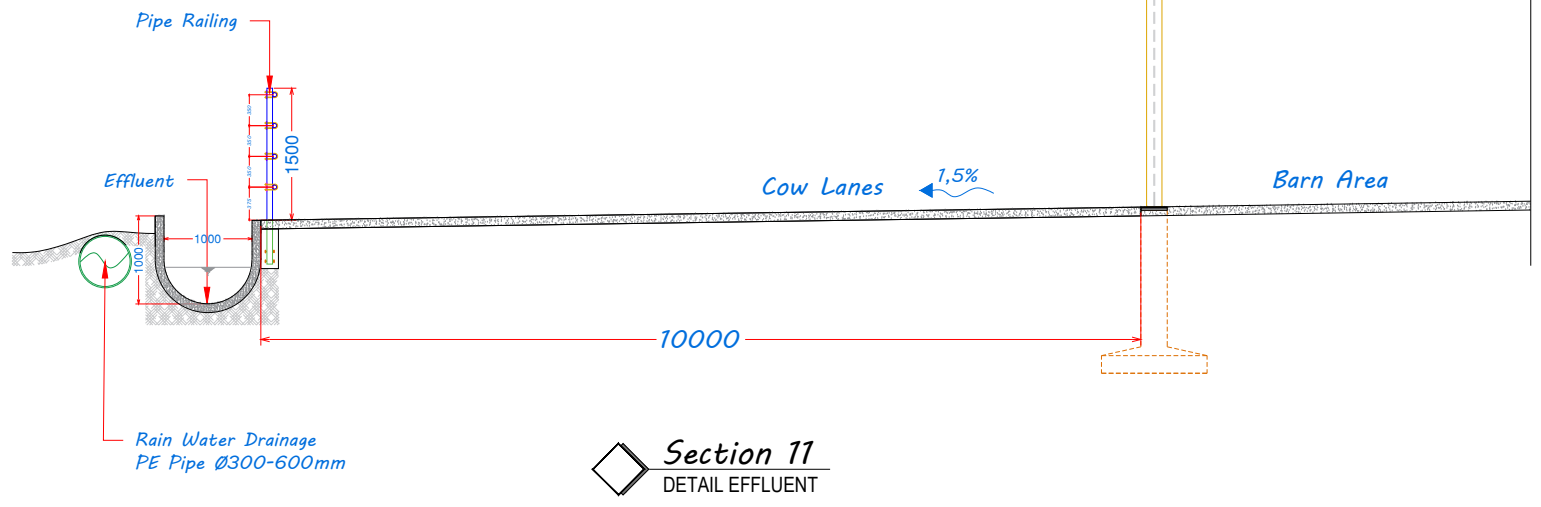
SCALE	-								
DRAWN	AP								
CHECKED BY	BRENDAN COLLINS								
APPROVED BY									
DRAWING NO :	C - DRG - PL01								
1	2	3	4	5	6	7	8	9	10

LEGEND :

NO	LOCATION NAME
1	RECEPTION PIT (7mL x 7mW x 5mH) + (1x Separator Feed Pump, 1x Agitator)
2	SCREEN
3	THICKENING PIT (3mW x 4mL x 5mH) + (1x Separator Feed Pump, 1x Agitator)
4	DIRECT FEED SCREW PRESS
5	LOADING CONVEYOR
6	PASTEURIZER PHASE 1
7	PASTEURIZER PHASE 2
8	STACKING CONVEYOR
9	SOLID SEPARATED BUNKER
10	SEPARATOR DRAIN LINE
11	DIGESTER INLET PIT (1 x Flush Pump)
12	PONDS 1
13	PONDS 2
14	FLOATING TRANSFER PUMP
15	TOP UP TRANSFER LINE
16	DIGESTER/LAGOON 1 (120x40x5m)
17	LAGOON 2 (120x40x5m)
18	FLUSH FEED LINE
19	DIGESTER OUTLET PIT (1 x Irrigation Pump)
20	IRIGATON FEED LINE
21	FRESH WATER
22	STROM WATER DRAIN PIPE
23	OVERFLOW LINE
24	MILKING PARLOUR FLUSH LINE
25	NORTH RECYCLING PIT (7mL x 7mW x 5mH) + (1x Transfer Pump, 1x Flush Pump)
26	NORTH ROTARY 60 BAILS MILKING PARLOUR



PHASE 2



Section 11
DETAIL EFFLUENT

LEGEND :

	: PE Pipe Ø300 (Rain Water Drainage)
	: PE Pipe Ø600 (Rain Water Drainage)
	: Effluent
	: Flushing Line

REVISION	1	28 - 11 - 2025	6
	2	08 - 12 - 2025	7
	3	16 - 12 - 2025	8
	4	15 - 01 - 2026	9
	5		10

PROJECT :
UNION PASTORAL
 393 Cooramook Rd
 Grassmere VIC 3281
 Australia

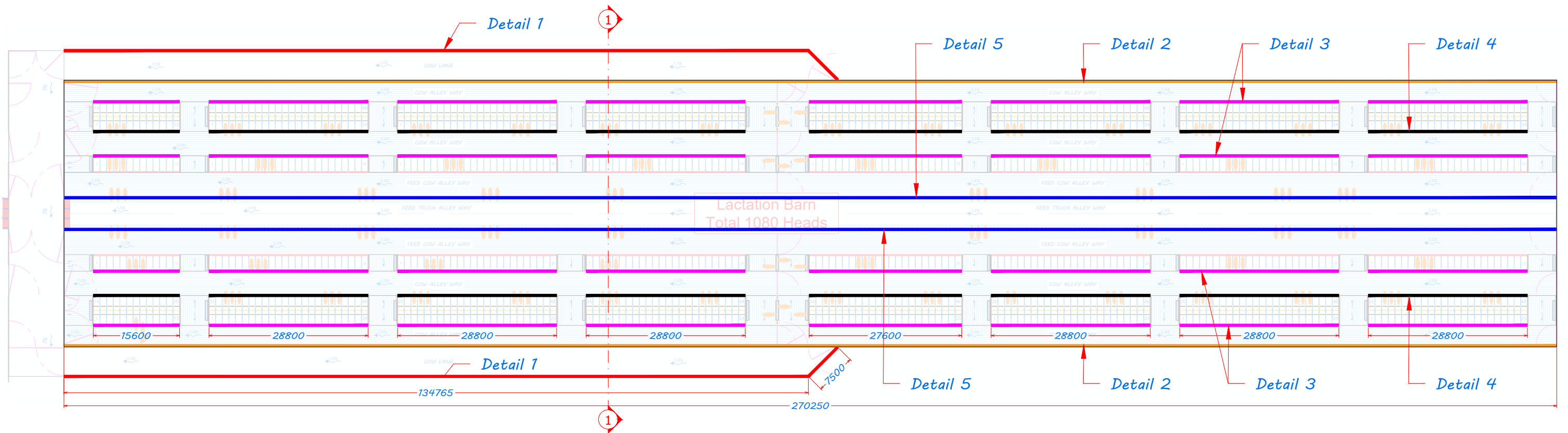
DRAWING TITLE :
 Effluent & Rain Water Pipe
 Plan (PHASE 2)



PT. AGRI SERVIS SAKTI
 DAIRY CONSULTANT & EQUIPMENT
 agriservis@yahoo.com
 Perum Bukit Hijau Blok B Kav. 39 Tlogomas, Malang
 Tel:+62 341 553515, Fax:+62 341 557430

SCALE	-								
DRAWN	AP								
CHECKED BY	BRENDAN COLLINS								
APPROVED BY									
DRAWING NO :	C - DRG - PL02								
1	2	3	4	5	6	7	8	9	10

FILE NAME : Masterplan Union Pastrol (06-02-26)1.dwg



KERB PLAN
LACTATION BARN

REVISION	1	05 - 11 - 2025	6
	2		7
	3		8
	4		9
	5		10

PROJECT :
UNION PASTORAL
393 Cooramook Rd
Grassmere VIC 3281
Australia

DRAWING TITLE :
**KERP PLAN
LACTATION BARN**

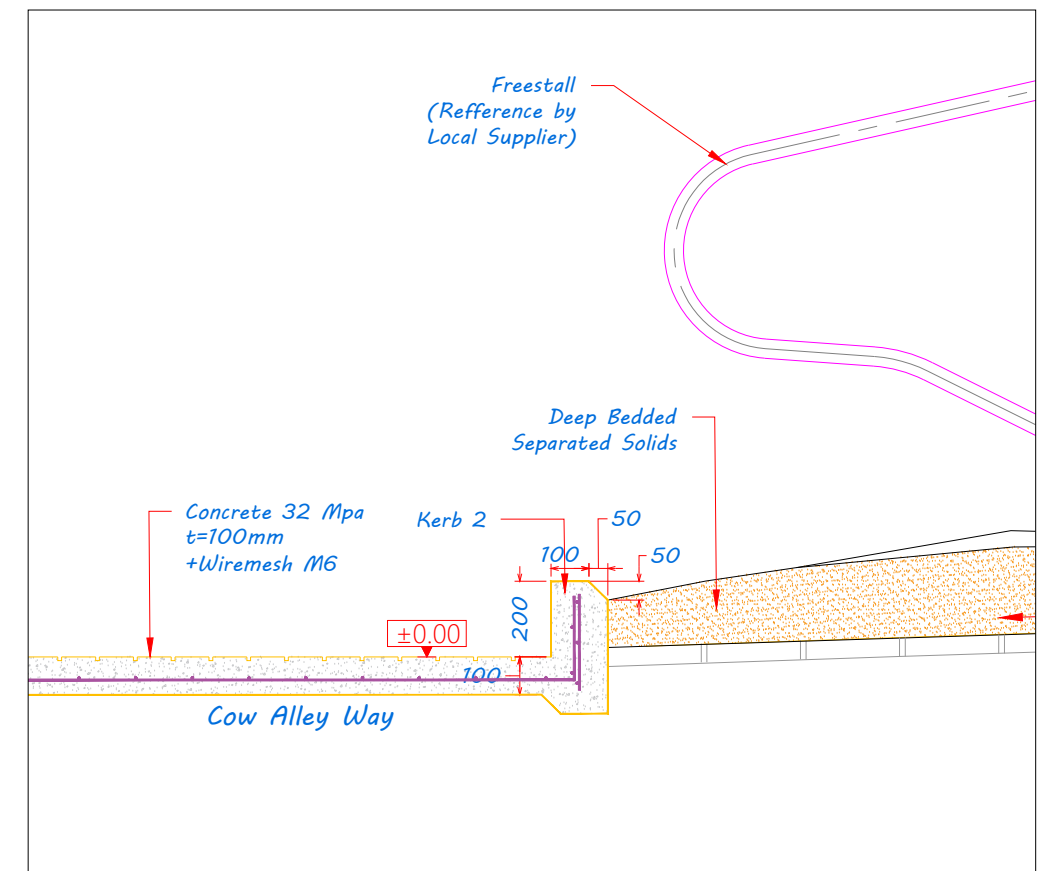
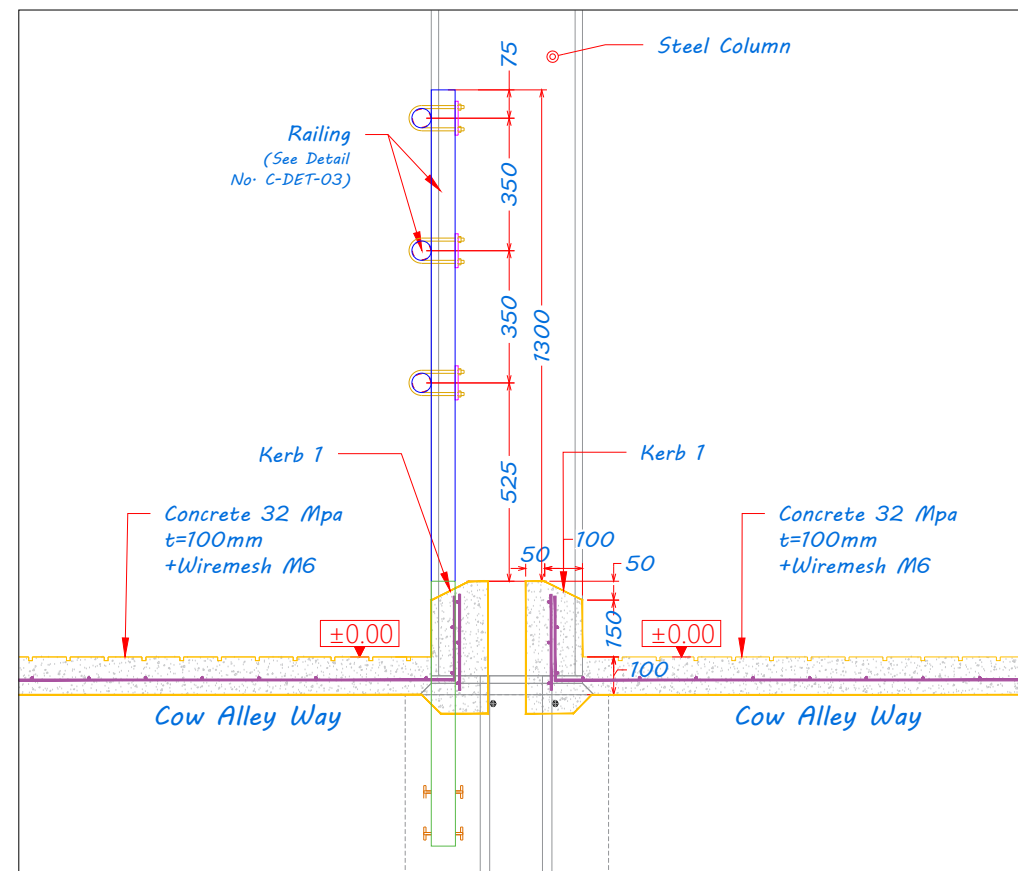
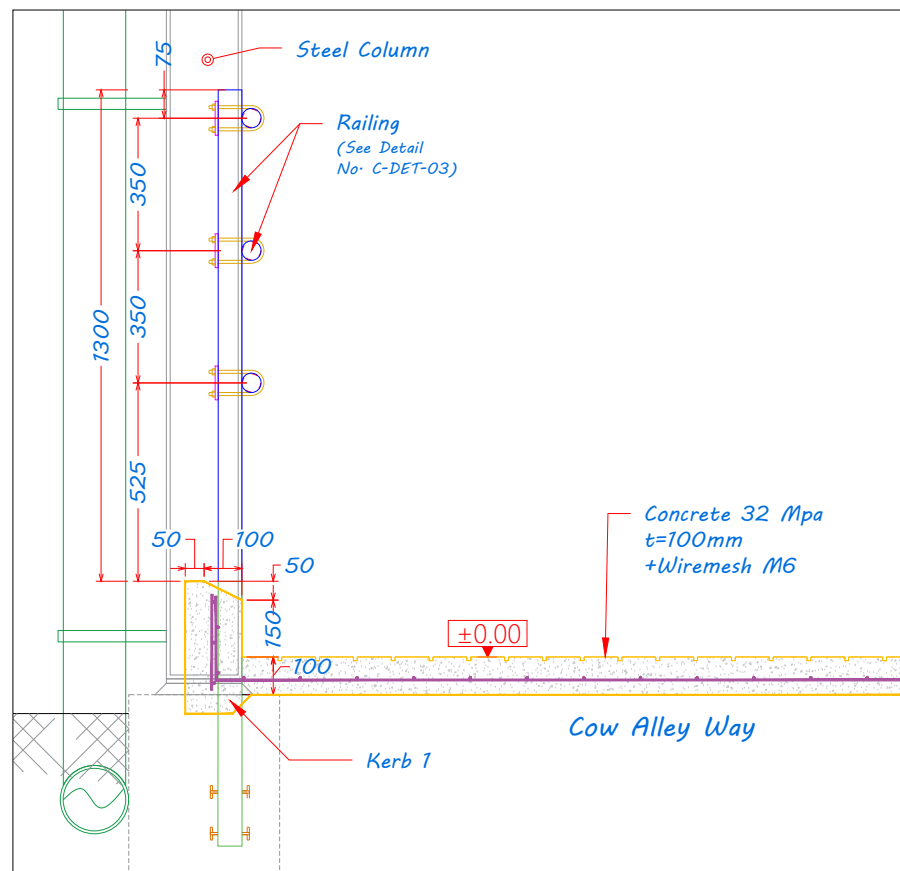
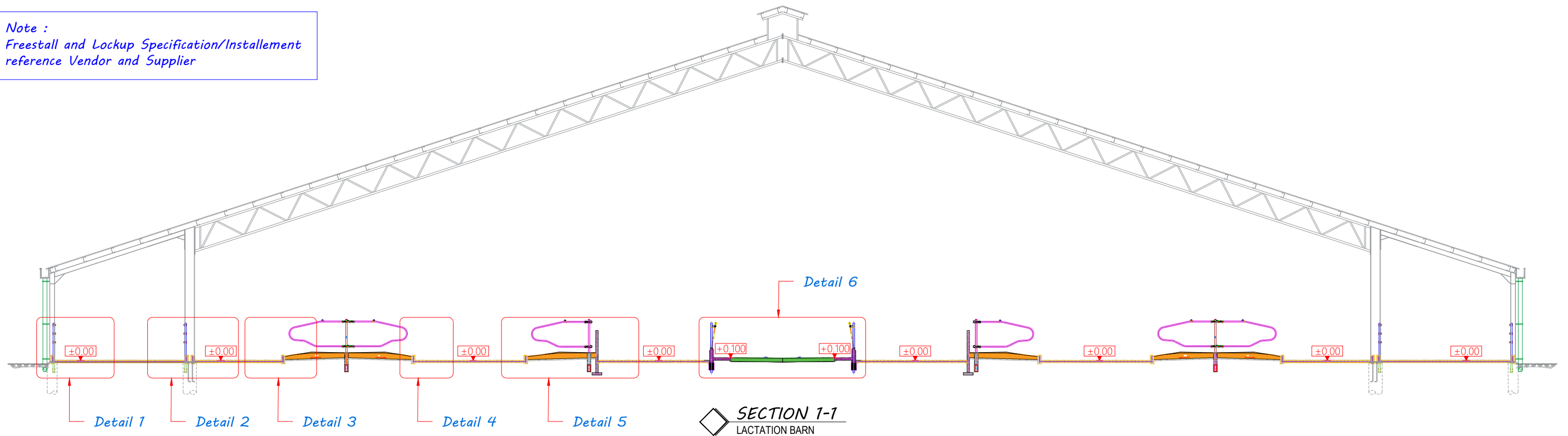


PT. AGRI SERVIS SAKTI
DAIRY CONSULTANT & EQUIPMENT
agriservis@yahoo.com
Perum Bukit Hijau Blok B Kav. 39 Tlogomas, Malang
Tel:+62 341 553515, Fax:+62 341 557430

FILE NAME : Masterplan Union Pastrol (06-02-26)1.dwg

SCALE	-
DRAWN	AP
CHECKED BY	BRENDAN COLLINS
APPROVED BY	
DRAWING NO :	C - DET - 01
	1 2 3 4 5 6 7 8 9 10

Note :
Freestall and Lockup Specification/Installement
reference Vendor and Supplier



REVISION	1	02 - 12 - 2025	6
	2		7
	3		8
	4		9
	5		10

PROJECT :	UNION PASTORAL 393 Cooramook Rd Grassmere VIC 3281 Australia
DRAWING TITLE :	DETAIL KERB LACTATION BARN

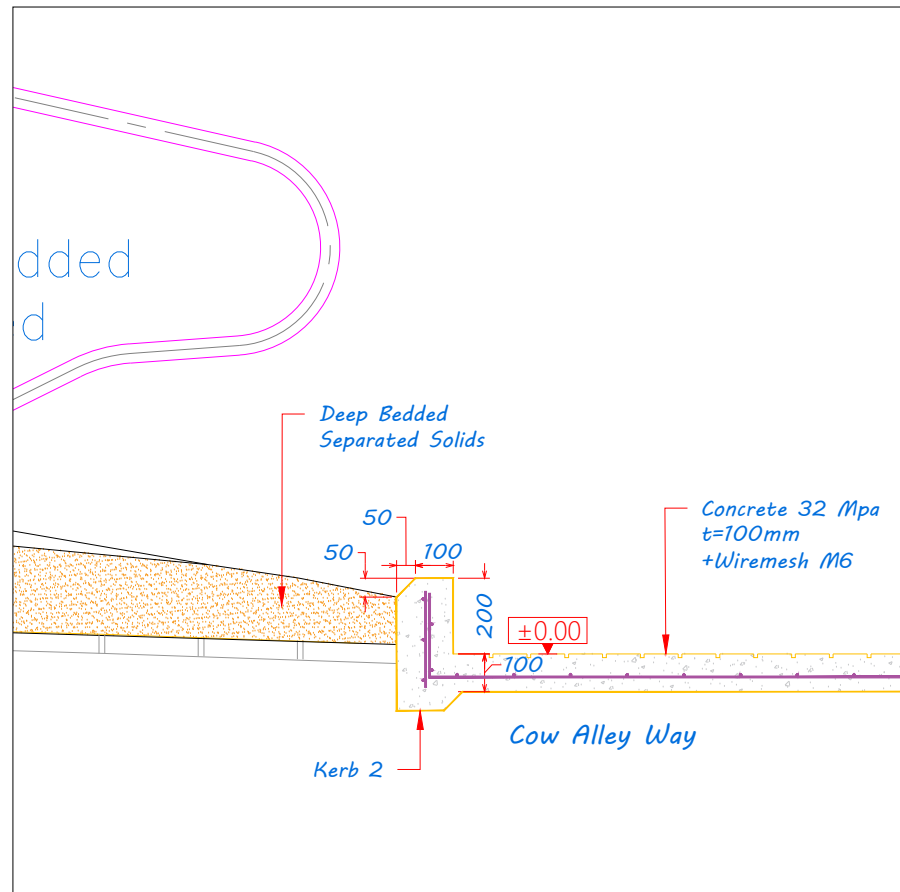
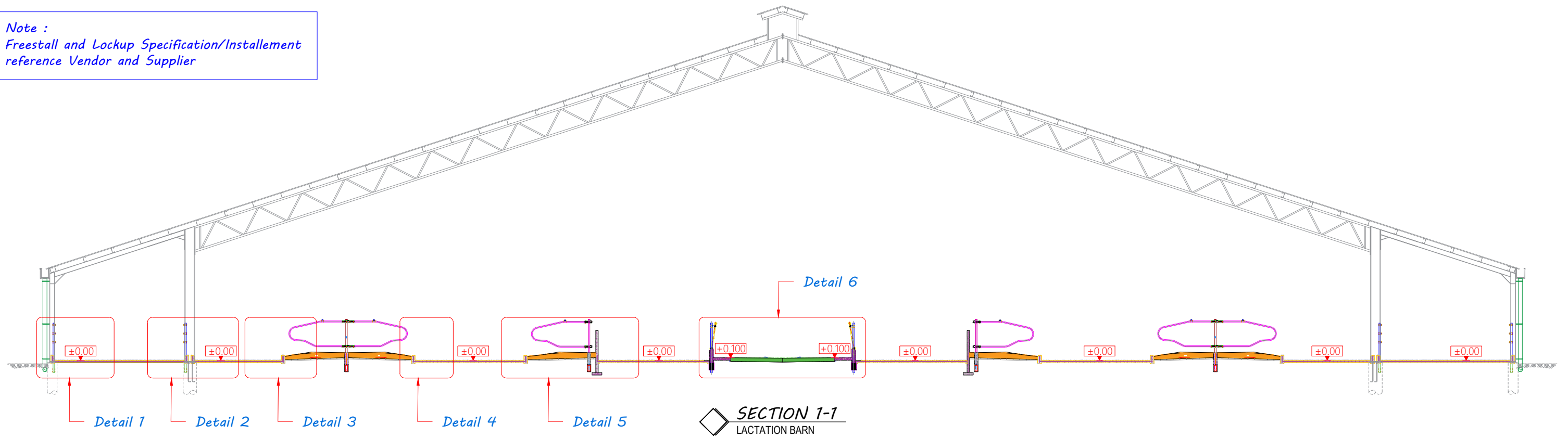
PT. AGRI SERVIS SAKTI
DAIRY CONSULTANT & EQUIPMENT
agriservis@yahoo.com
Perum Bukit Hijau Blok B Kav. 39 Tlogomas, Malang
Tel:+62 341 553515, Fax:+62 341 557430

FILE NAME : Masterplan Union Pastrol (06-02-26)1.dwg

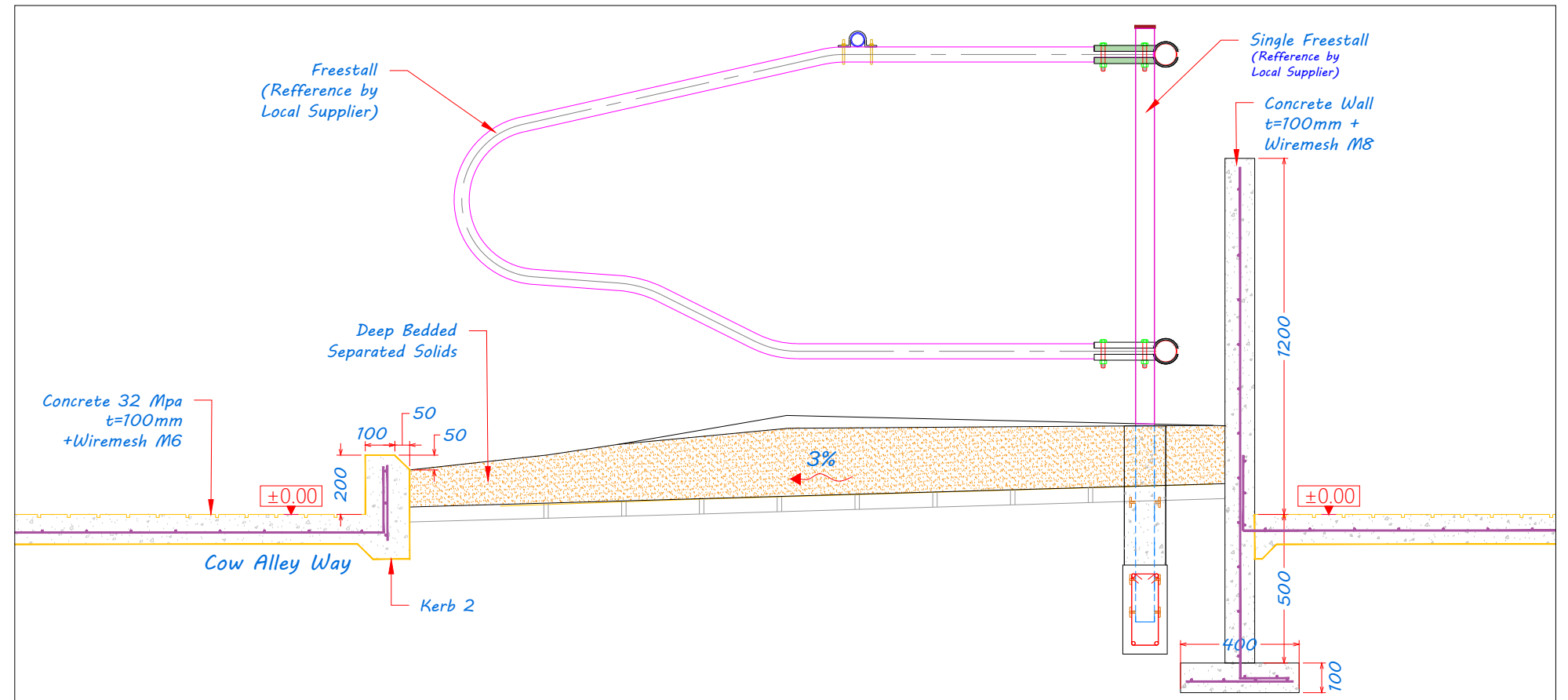
SCALE	-
DRAWN	AP
CHECKED BY	BRENDAN COLLINS
APPROVED BY	
DRAWING NO :	C - DET - 02

1	2	3	4	5	6	7	8	9	10
---	---	---	---	---	---	---	---	---	----

Note :
Freestall and Lockup Specification/Installement
reference Vendor and Supplier



DETAIL 4
FLOOR & KERB DETAIL



DETAIL 5
FLOOR & KERB DETAIL

REVISION	1	02 - 12 - 2025	6
	2		7
	3		8
	4		9
	5		10

PROJECT :	UNION PASTORAL 393 Cooramook Rd Grassmere VIC 3281 Australia
DRAWING TITLE :	DETAIL KERB LACTATION BARN

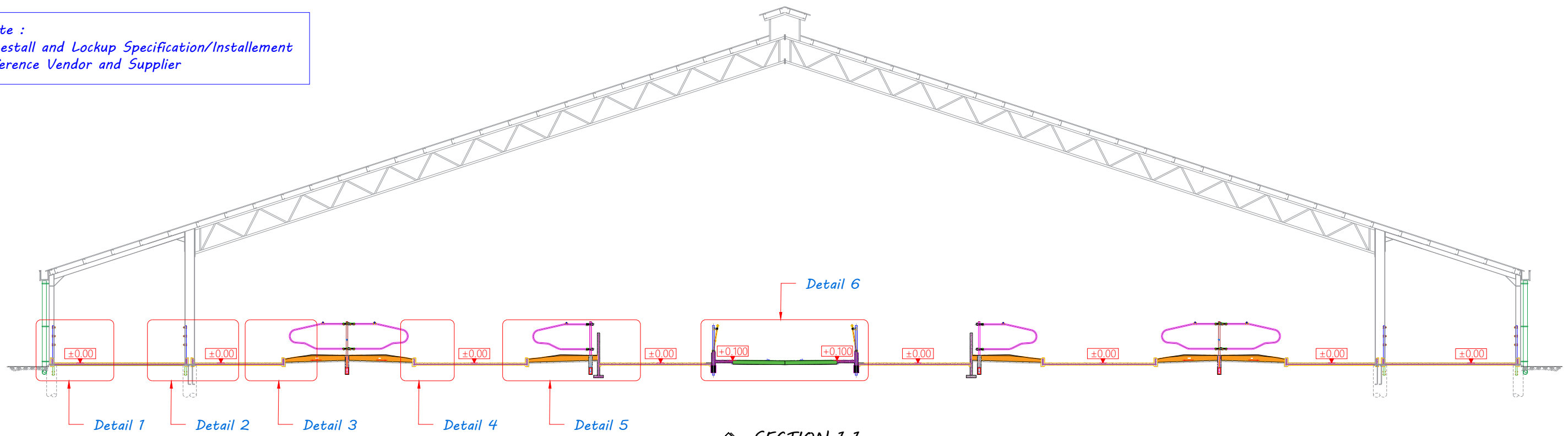
PT. AGRI SERVIS SAKTI
DAIRY CONSULTANT & EQUIPMENT
agriservis@yahoo.com
Perum Bukit Hijau Blok B Kav. 39 Tlogomas, Malang
Tel:+62 341 553515, Fax:+62 341 557430

FILE NAME : Masterplan Union Pastrol (06-02-26)1.dwg

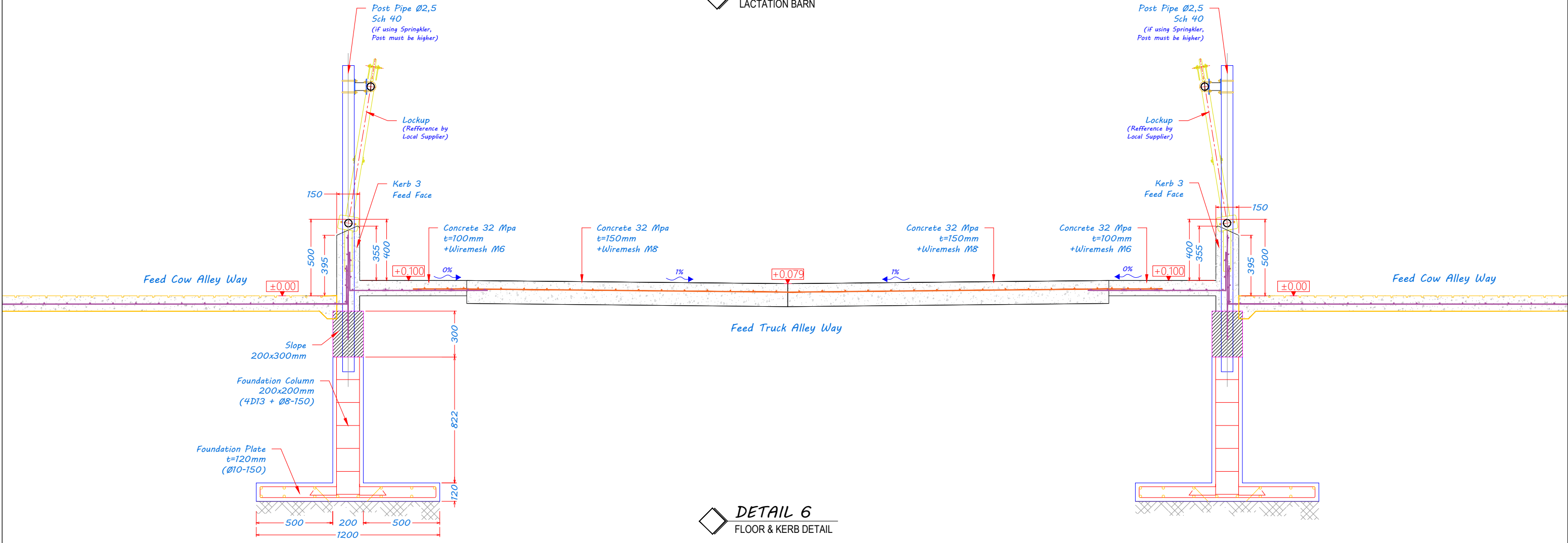
SCALE	-
DRAWN	AP
CHECKED BY	BRENDAN COLLINS
APPROVED BY	
DRAWING NO :	C - DET - 02

1	2	3	4	5	6	7	8	9	10
---	---	---	---	---	---	---	---	---	----

Note :
Freestall and Lockup Specification/Installement
reference Vendor and Supplier



SECTION 1-1
LACTATION BARN



DETAIL 6
FLOOR & KERB DETAIL

REVISION	1	12 - 12 - 2025	6
	2		7
	3		8
	4		9
	5		10

PROJECT :
UNION PASTORAL
393 Cooramook Rd
Grassmere VIC 3281
Australia

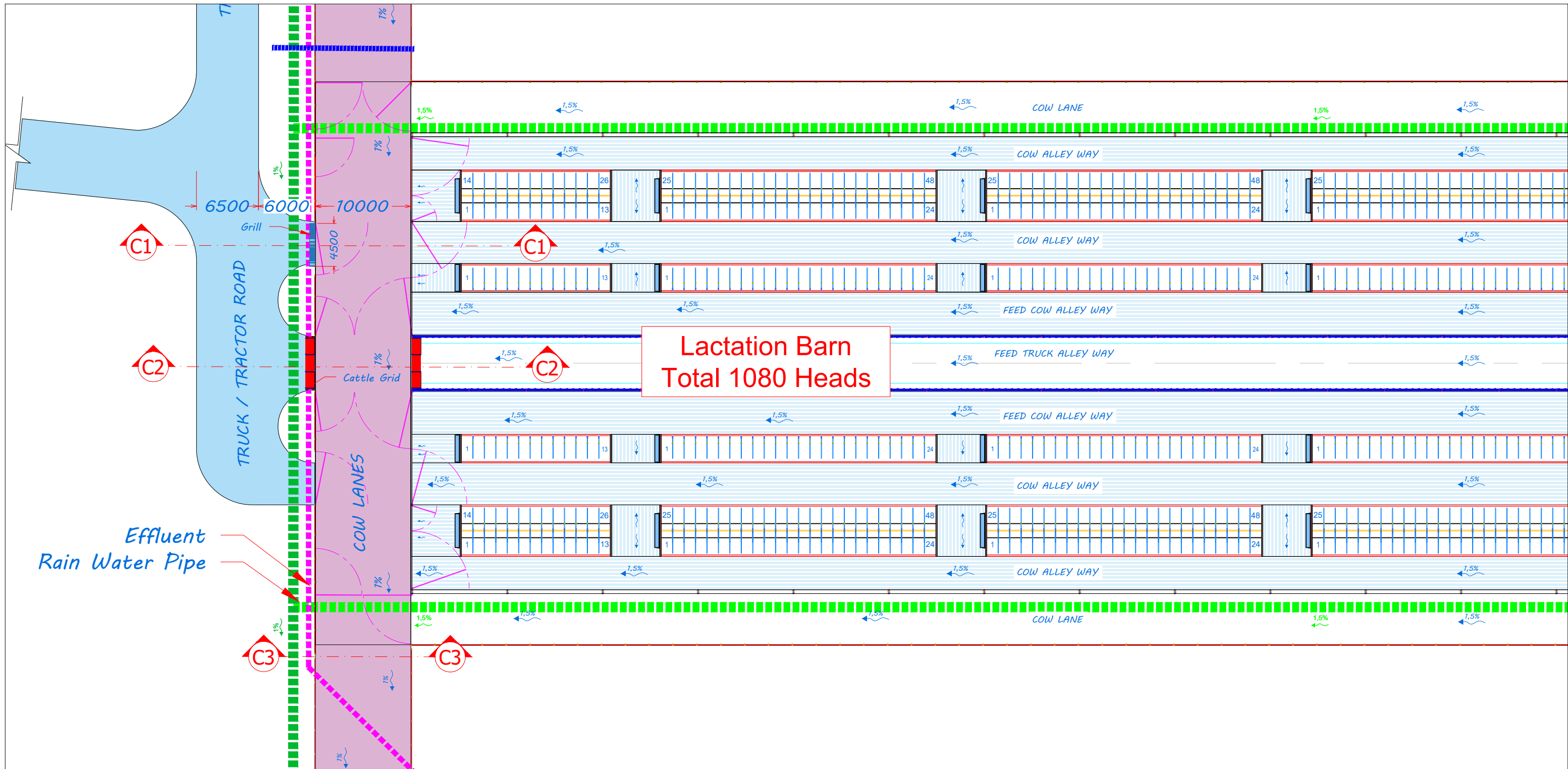
DRAWING TITLE :
**DETAIL FEED TRUCK ALLEY WAY
LACTATION BARN**



PT. AGRI SERVIS SAKTI
DAIRY CONSULTANT & EQUIPMENT
agriservis@yahoo.com
Perum Bukit Hijau Blok B Kav. 39 Tlogomas, Malang
Tel:+62 341 553515, Fax:+62 341 557430

FILE NAME : Masterplan Union Pastrol (06-02-26)1.dwg

SCALE	-								
DRAWN	AP								
CHECKED BY	BRENDAN COLLINS								
APPROVED BY									
DRAWING NO :	C - DET - 02								
1	2	3	4	5	6	7	8	9	10



MASTERPLAN
LACTATION BARN 1

REVISION	1	12 - 12 - 2025	6
	2	06 - 02 - 2026	7
	3		8
	4		9
	5		10

PROJECT :	UNION PASTORAL 393 Cooramook Rd Grassmere VIC 3281 Australia
DRAWING TITLE :	COW LANE & TRUCK ROAD PLAN

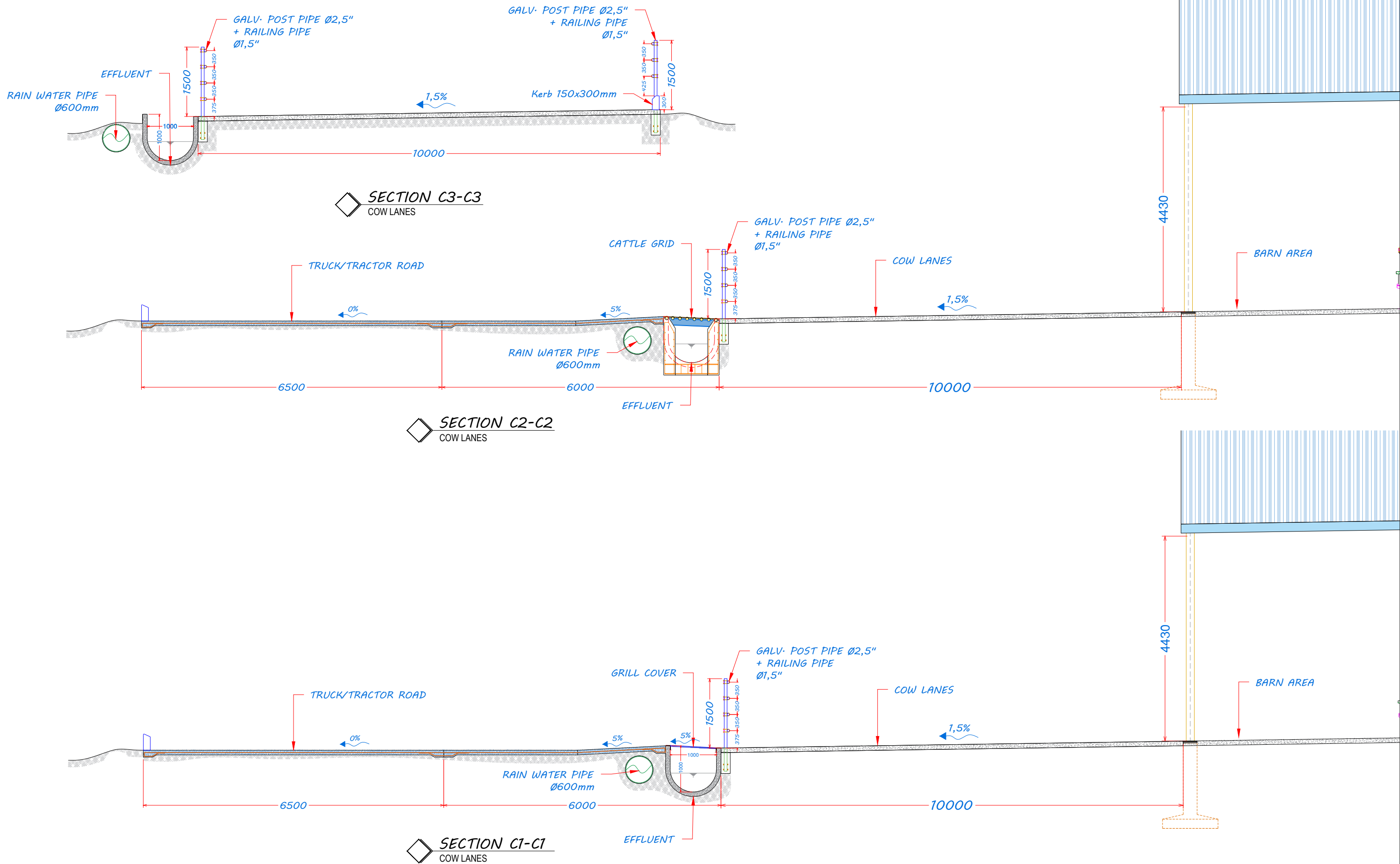
PT. AGRI SERVIS SAKTI

DAIRY CONSULTANT & EQUIPMENT
agriservis@yahoo.com
Perum Bukit Hijau Blok B Kav. 39 Tlogomas, Malang
Tel:+62 341 553515, Fax:+62 341 557430

FILE NAME : Masterplan Union Pastrol (06-02-26)1.dwg

SCALE	-
DRAWN	AP
CHECKED BY	BRENDAN COLLINS
APPROVED BY	
DRAWING NO :	C - LN - PL01

1	2	3	4	5	6	7	8	9	10
---	---	---	---	---	---	---	---	---	----



REVISION	1	12 - 12 - 2025	6
	2		7
	3		8
	4		9
	5		10

PROJECT :
UNION PASTORAL
 393 Cooramook Rd
 Grassmere VIC 3281
 Australia

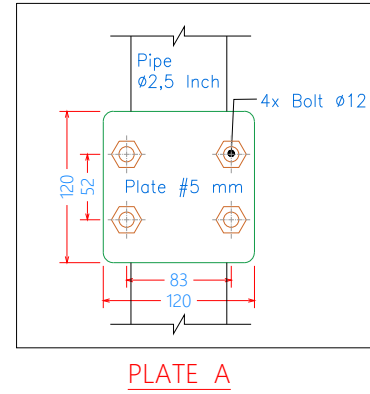
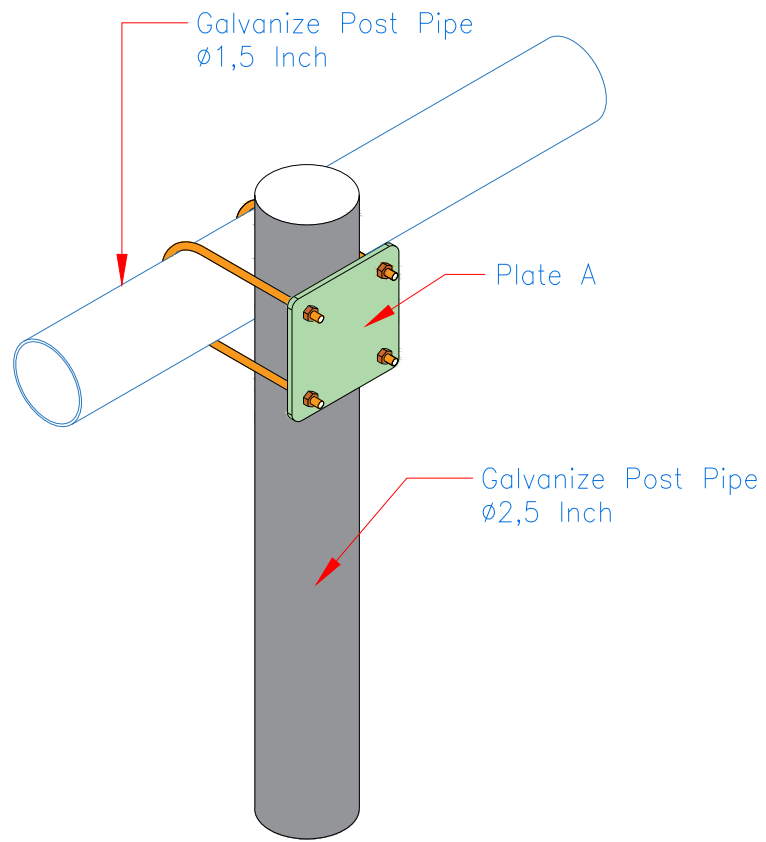
DRAWING TITLE :
SECTION COW LANE & TRUCK ROAD



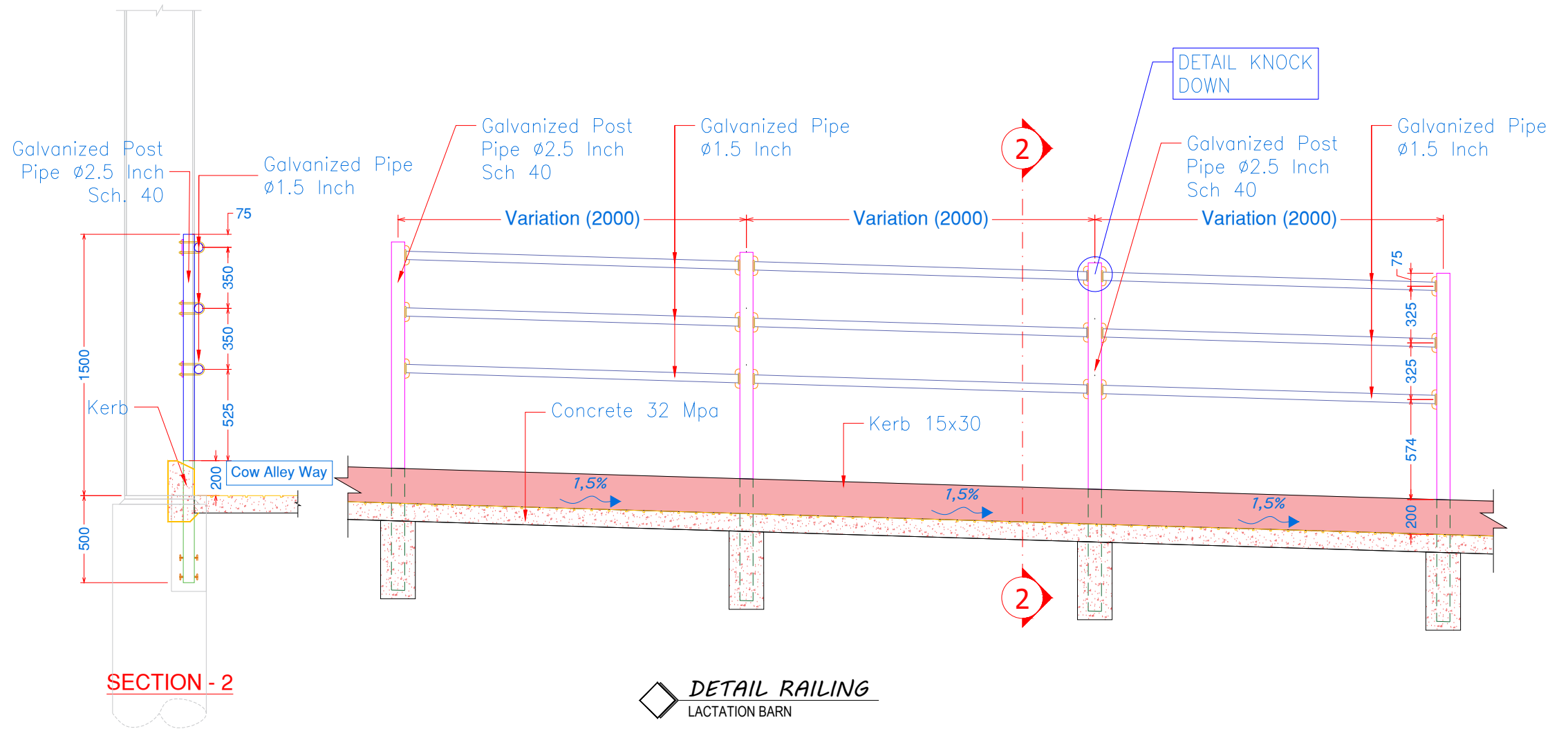
PT. AGRI SERVIS SAKTI
 DAIRY CONSULTANT & EQUIPMENT
 agriservis@yahoo.com
 Perum Bukit Hijau Blok B Kav. 39 Tlogomas, Malang
 Tel:+62 341 553515, Fax:+62 341 557430

SCALE	-
DRAWN	AP
CHECKED BY	BRENDAN COLLINS
APPROVED BY	
DRAWING NO :	C - LN - DET01
1	2
3	4
5	6
7	8
9	10

FILE NAME : Masterplan Union Pastrol (06-02-26)1.dwg



DETAIL KNOCK DOWN
RAILING KNOCK DOWN



DETAIL RAILING
LACTATION BARN

REVISION	1	28 - 11 - 2025	6
	2		7
	3		8
	4		9
	5		10

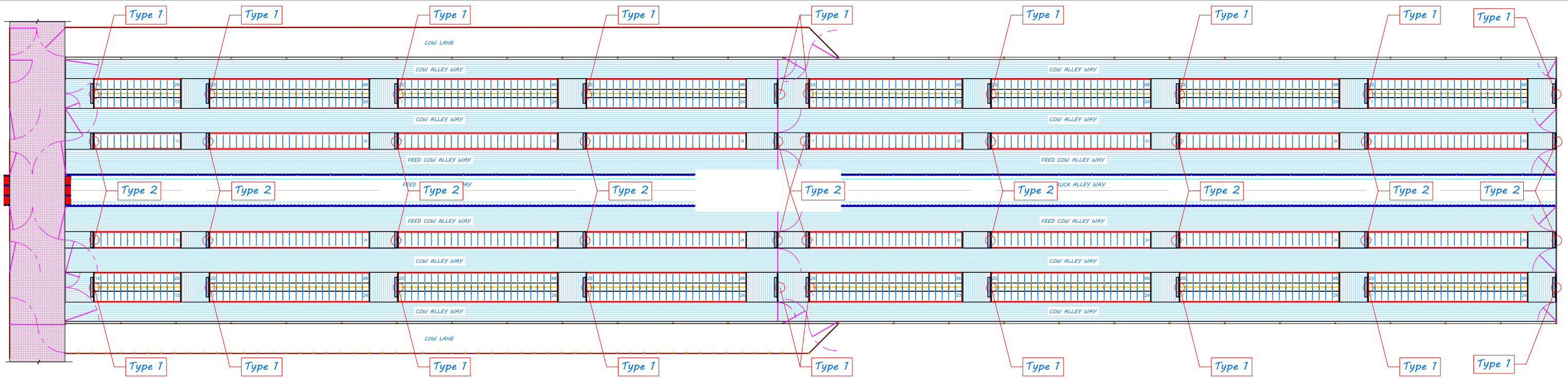
PROJECT :	UNION PASTORAL 393 Cooramook Rd Grassmere VIC 3281 Australia
DRAWING TITLE :	DETAIL RAILING & KNOCK DOWN LACTATION BARN

PT. AGRI SERVIS SAKTI
DAIRY CONSULTANT & EQUIPMENT
agriservis@yahoo.com
Perum Bukit Hijau Blok B Kav. 39 Tlogomas, Malang
Tel: +62 341 553515, Fax: +62 341 557430

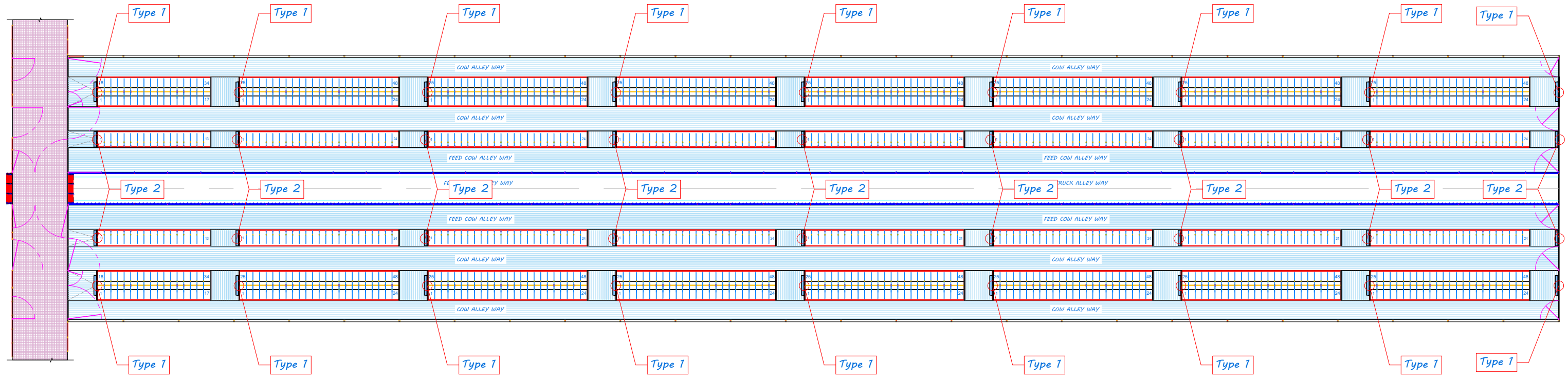
FILE NAME : Masterplan Union Pastrol (06-02-26)1.dwg

SCALE	-
DRAWN	AP
CHECKED BY	BRENDAN COLLINS
APPROVED BY	
DRAWING NO :	C - RL - DET01

1	2	3	4	5	6	7	8	9	10
---	---	---	---	---	---	---	---	---	----



PLAN WATER TROUGH
BARN 1



PLAN WATER TROUGH
BARN 2

REVISION	1	08 - 12 - 2025	6
	2		7
	3		8
	4		9
	5		10

PROJECT : UNION PASTORAL
393 Cooramook Rd
Grassmere VIC 3281
Australia

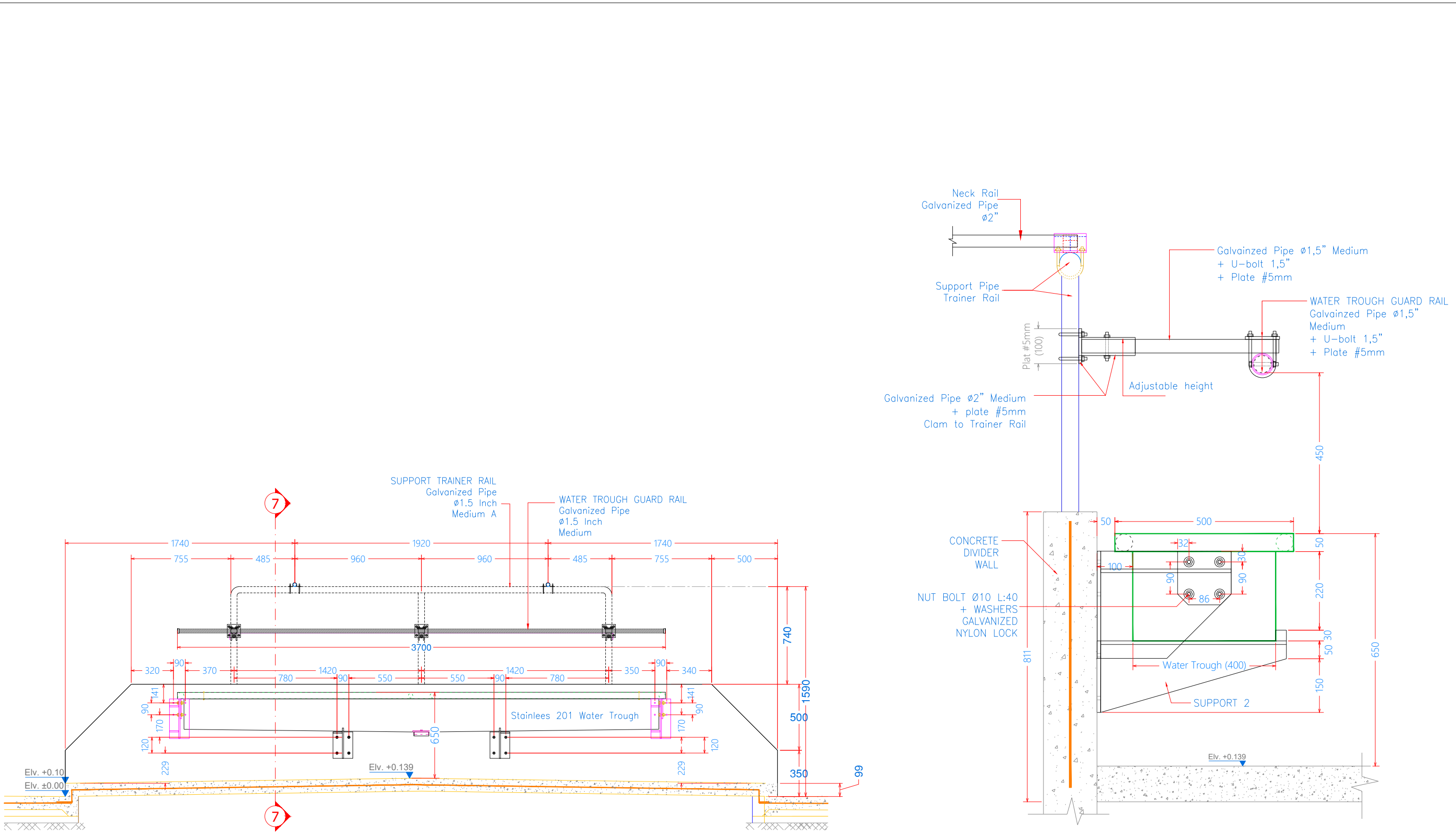
DRAWING TITLE : PLAN WATER TROUGH
TYPE 1 & 2



PT. AGRI SERVIS SAKTI
DAIRY CONSULTANT & EQUIPMENT
agriservis@yahoo.com
Perum Bukit Hijau Blok B Kav. 39 Tlogomas, Malang
Tel: +62 341 553515, Fax: +62 341 557430

SCALE	-
DRAWN	AP
CHECKED BY	BRENDAN COLLINS
APPROVED BY	
DRAWING NO :	C - WT - PL01
1	2
3	4
5	6
7	8
9	10

FILE NAME : Masterplan Union Pastrol (06-02-26)1.dwg



DETAIL: DIVIDER WALL

DIMENSION WATER TROUGH
TYPE 1

SECTION 7-7
TYPE 1

REVISION	1	08 - 12 - 2025	6
	2		7
	3		8
	4		9
	5		10

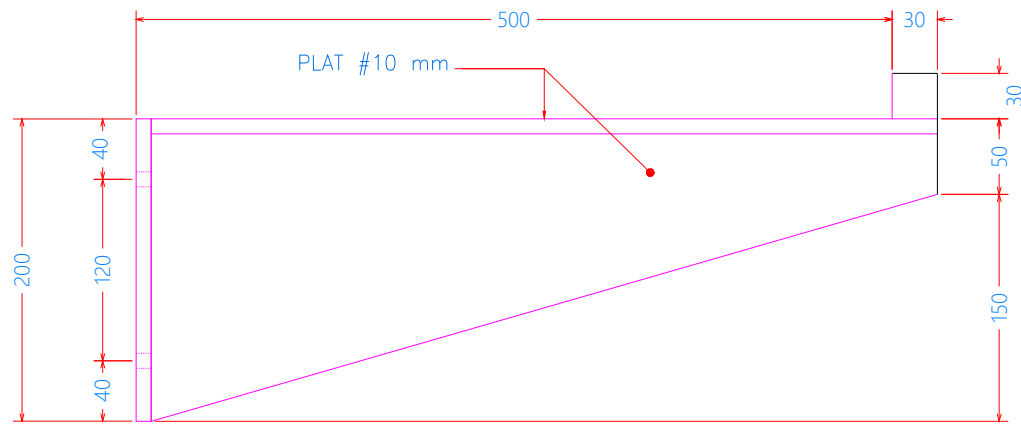
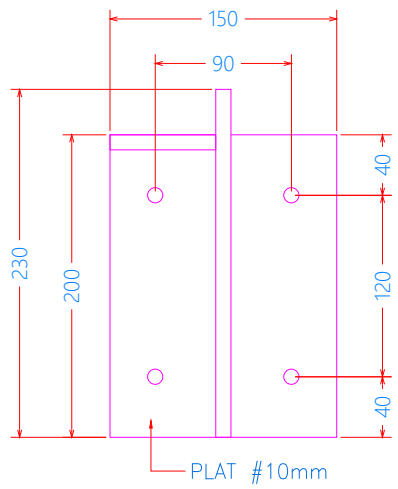
PROJECT :	UNION PASTORAL 393 Cooramook Rd Grassmere VIC 3281 Australia
DRAWING TITLE :	DETAIL WATER TROUGH TYPE 1



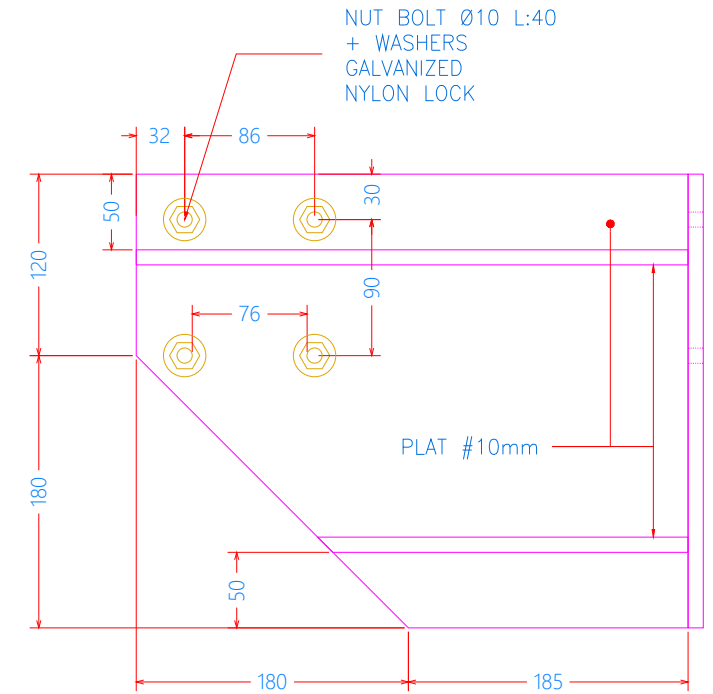
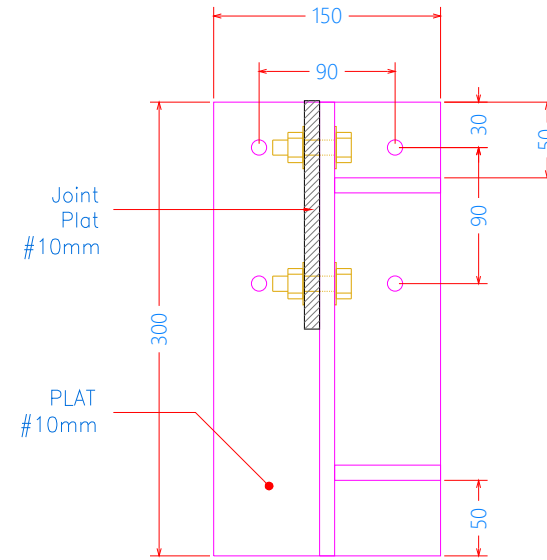
PT. AGRI SERVIS SAKTI
DAIRY CONSULTANT & EQUIPMENT
agriservis@yahoo.com
Perum Bukit Hijau Blok B Kav. 39 Tlogomas, Malang
Tel: +62 341 553515, Fax: +62 341 557430

SCALE	-								
DRAWN	AP								
CHECKED BY	BRENDAN COLLINS								
APPROVED BY									
DRAWING NO :	C - WT - DET02								
1	2	3	4	5	6	7	8	9	10

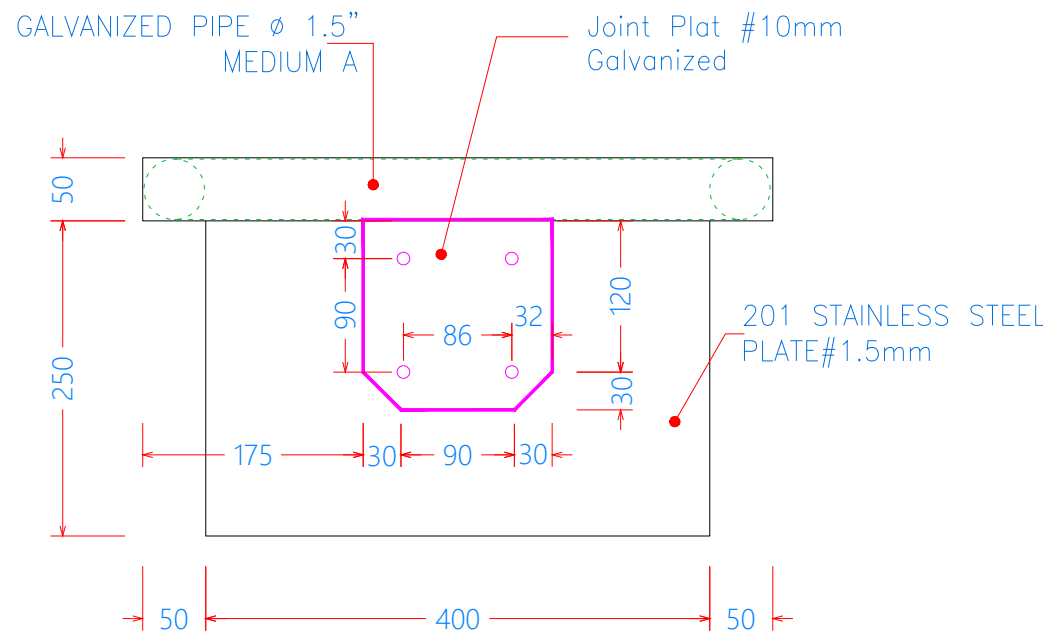
FILE NAME : Masterplan Union Pastrol (06-02-26)1.dwg



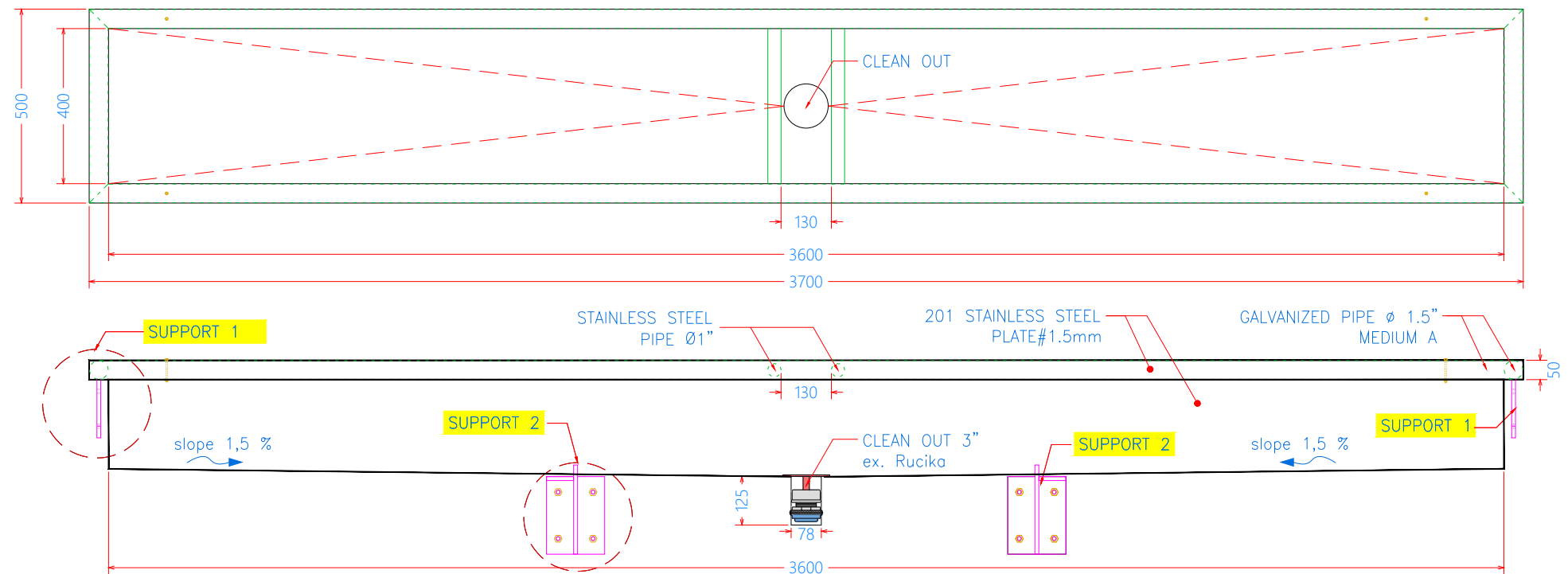
DETAIL SUPPORT 2
WATER TROUGH



DETAIL SUPPORT 3
WATER TROUGH



DETAIL SUPPORT 1
WATER TROUGH



DETAIL: WATER TROUGH TYPE 1

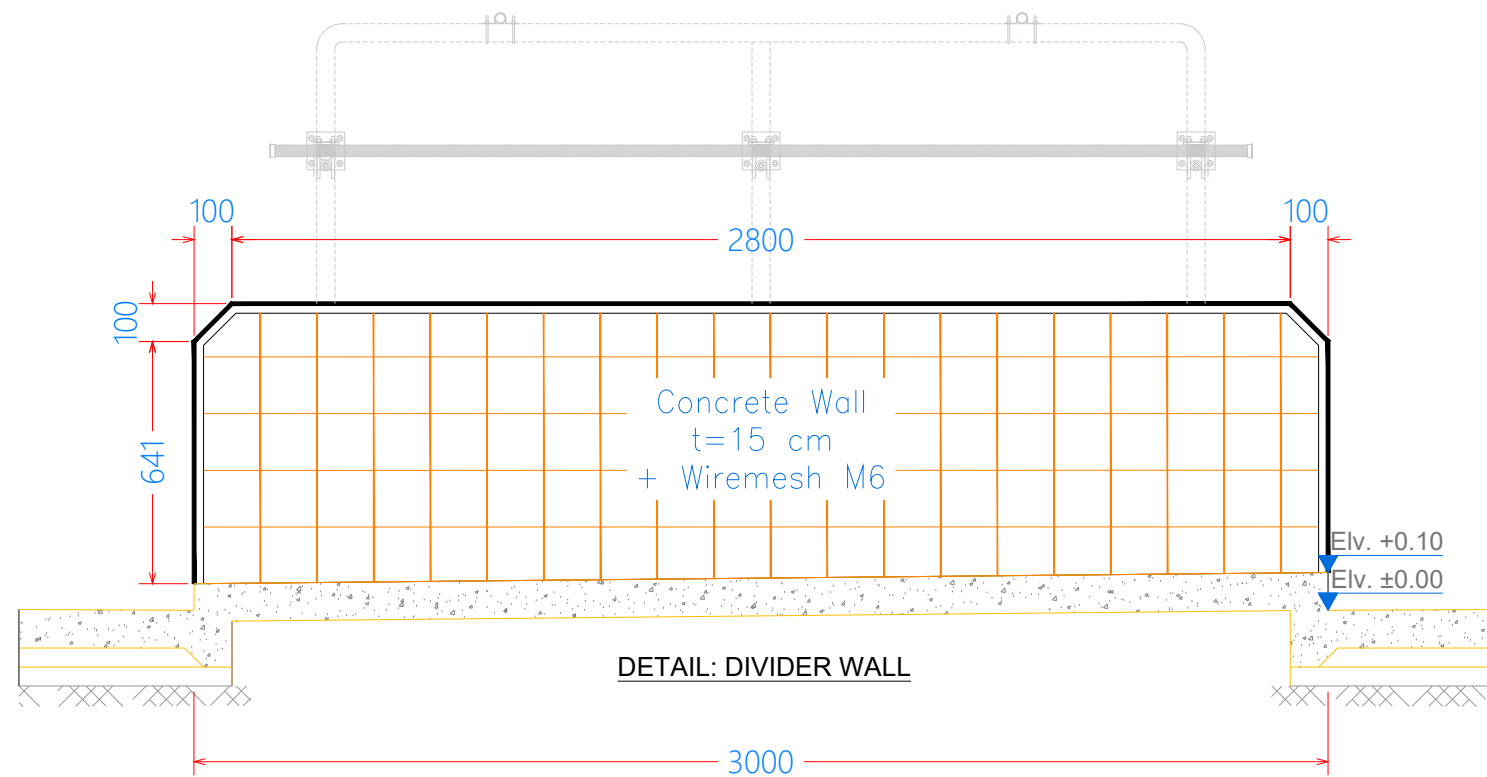
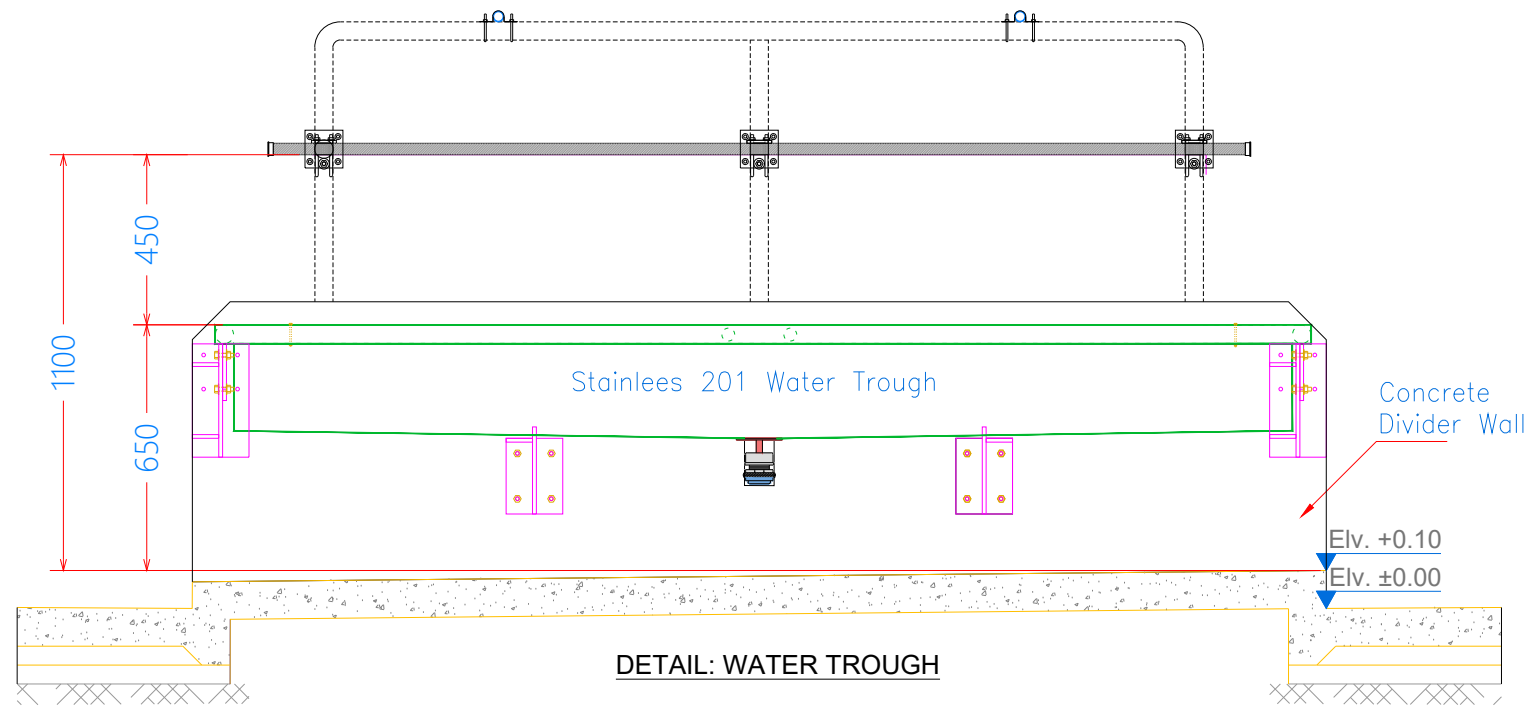
REVISION	1	08 - 12 - 2025	6
	2		7
	3		8
	4		9
	5		10


PROJECT :	UNION PASTORAL 393 Cooramook Rd Grassmere VIC 3281 Australia
DRAWING TITLE :	DETAIL WATER TROUGH TYPE 1

PT. AGRI SERVIS SAKTI

PT. AGRI SERVIS SAKTI
DAIRY CONSULTANT & EQUIPMENT
agriservis@yahoo.com
Perum Bukit Hijau Blok B Kav. 39 Tlogomas, Malang
Tel: +62 341 553515, Fax: +62 341 557430

SCALE	-
DRAWN	AP
CHECKED BY	BRENDAN COLLINS
APPROVED BY	
DRAWING NO :	C - WT - DET03
1	2
3	4
5	6
7	8
9	10



 **DETAIL DIVIDER WALL**
TYPE 2

REVISION	1	08 - 12 - 2025	6
	2	12 - 12 - 2025	7
	3		8
	4		9
	5		10

PROJECT :	UNION PASTORAL 393 Cooramook Rd Grassmere VIC 3281 Australia
DRAWING TITLE :	DETAIL WATER TROUGH TYPE 2

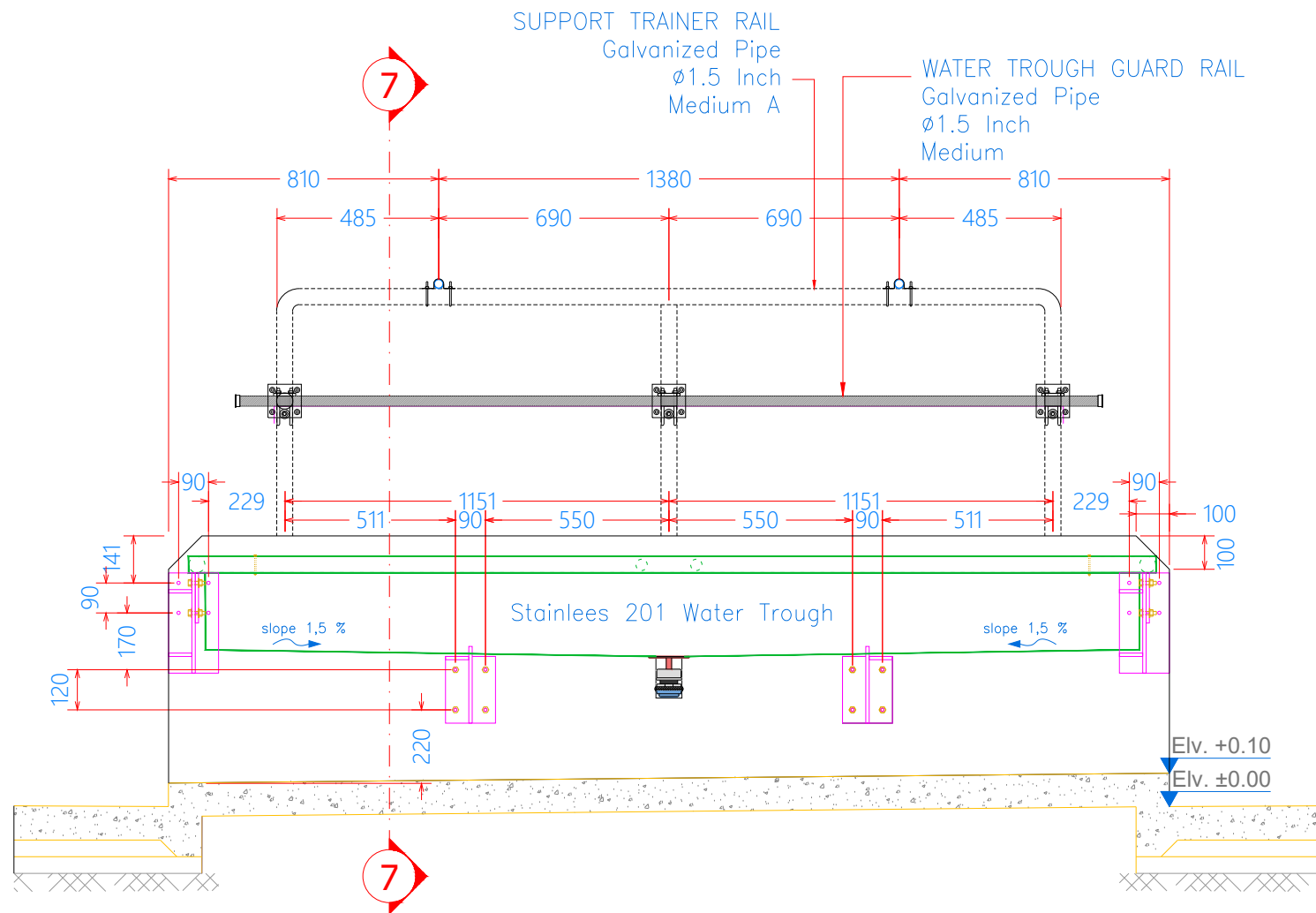


PT. AGRI SERVIS SAKTI
DAIRY CONSULTANT & EQUIPMENT
agriservis@yahoo.com
Perum Bukit Hijau Blok B Kav. 39 Tlogomas, Malang
Tel:+62 341 553515, Fax:+62 341 557430

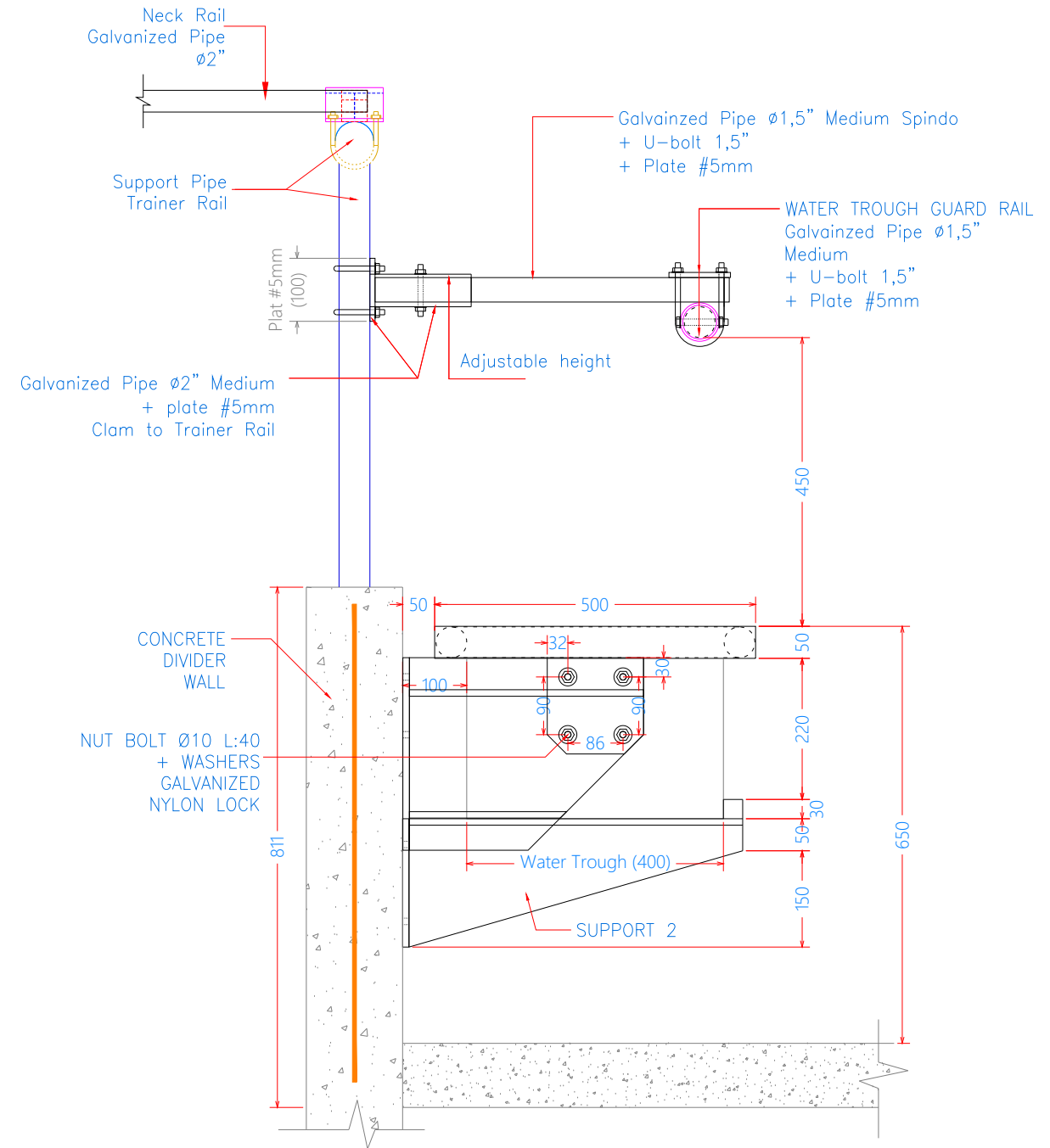
FILE NAME : Masterplan Union Pastrol (06-02-26)1.dwg

SCALE	-
DRAWN	AP
CHECKED BY	BRENDAN COLLINS
APPROVED BY	
DRAWING NO :	C - WT - DET04


1	2	3	4	5	6	7	8	9	10
---	---	---	---	---	---	---	---	---	----

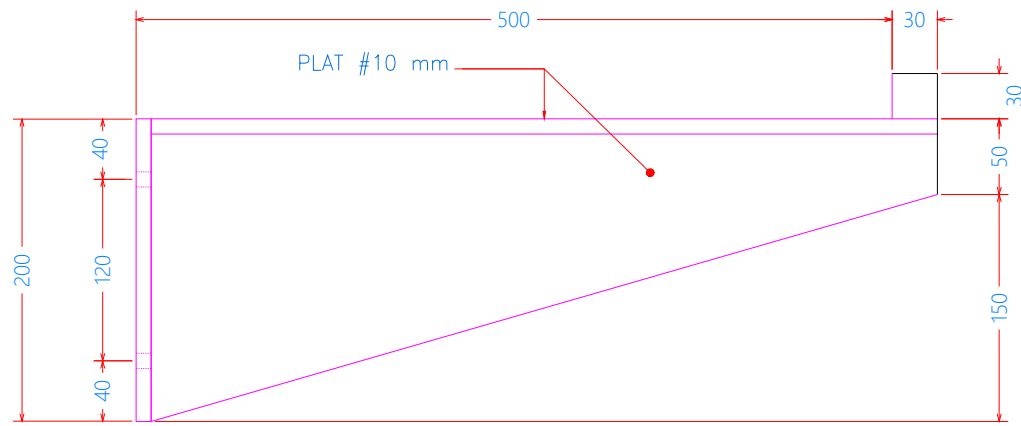
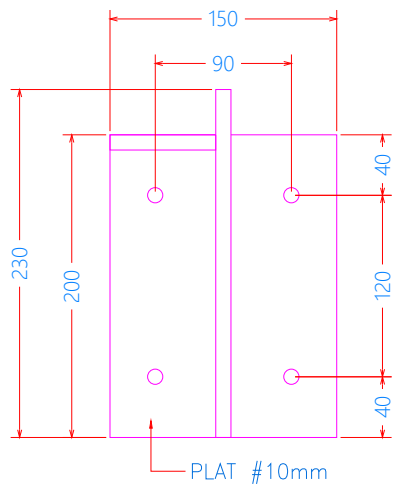


DIMENSION WATER TROUGH
TYPE 2

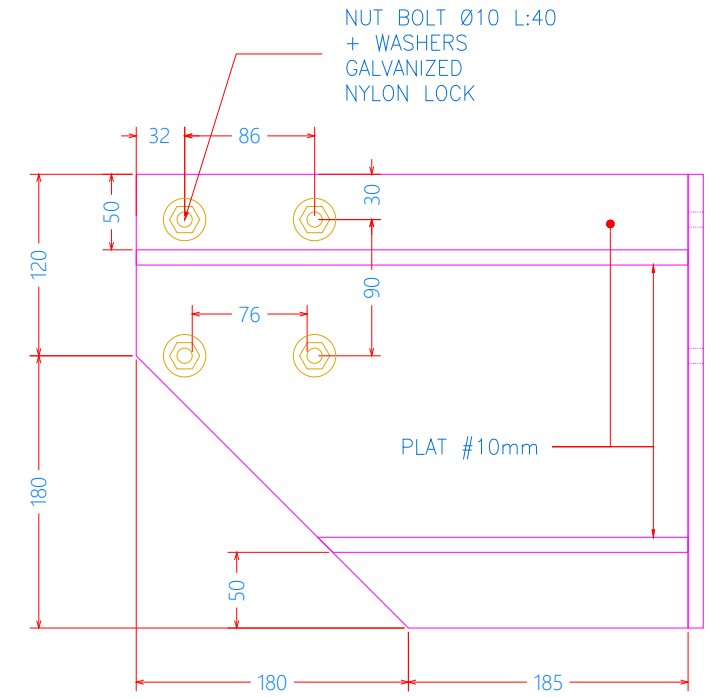
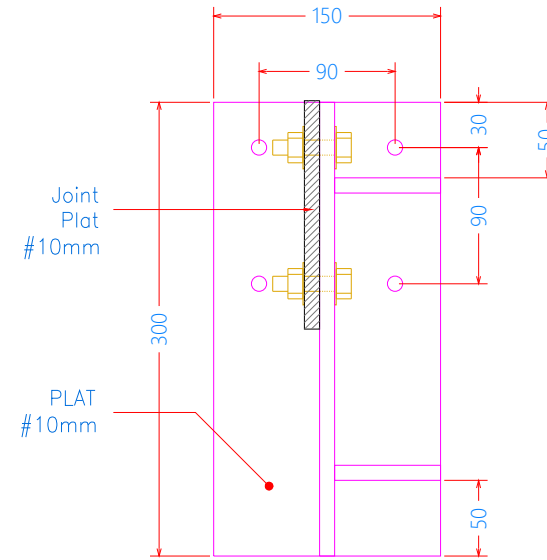


SECTION 7-7
TYPE 2

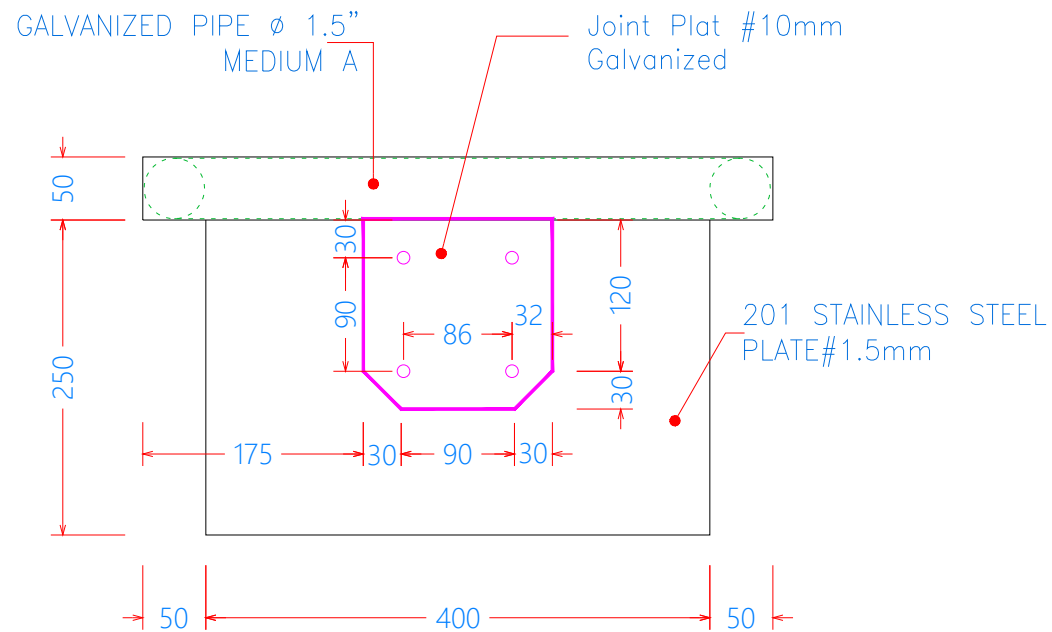
REVISION	1	08 - 12 - 2025	6		PROJECT :	UNION PASTORAL 393 Cooramook Rd Grassmere VIC 3281 Australia	 <p>PT. AGRI SERVIS SAKTI DAIRY CONSULTANT & EQUIPMENT agriservis@yahoo.com Perum Bukit Hijau Blok B Kav. 39 Tlogomas, Malang Tel:+62 341 553515, Fax:+62 341 557430</p>	SCALE	-								
	2	12 - 12 - 2025	7		DRAWING TITLE :	DETAIL WATER TROUGH TYPE 2		DRAWN	AP								
	3		8					CHECKED BY	BRENDAN COLLINS								
	4		9					APPROVED BY									
	5		10					DRAWING NO :	C - WT - DET05								
							FILE NAME : Masterplan Union Pastrol (06-02-26)1.dwg	1	2	3	4	5	6	7	8	9	10



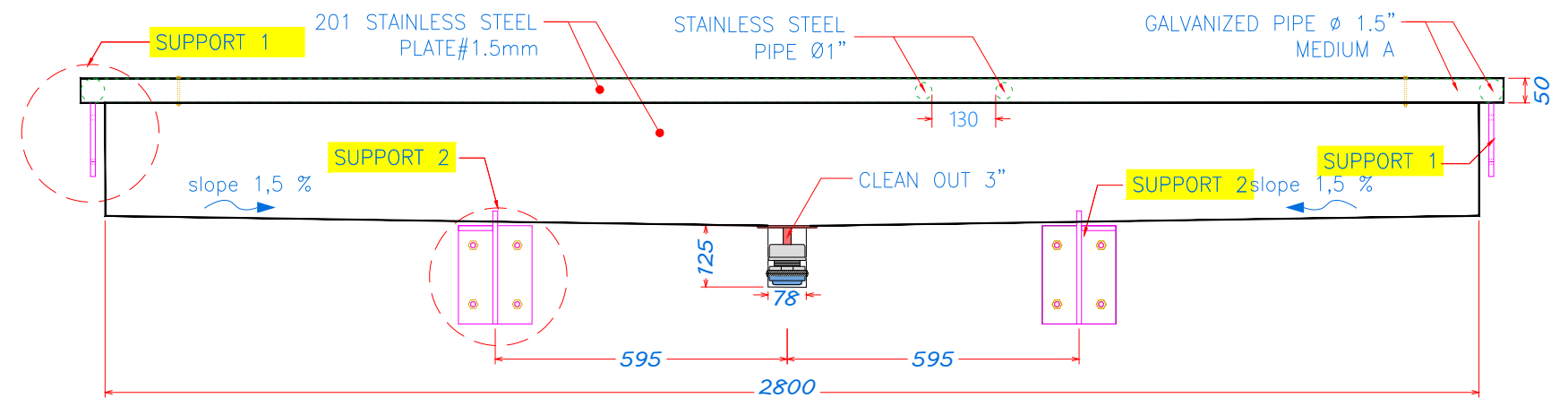
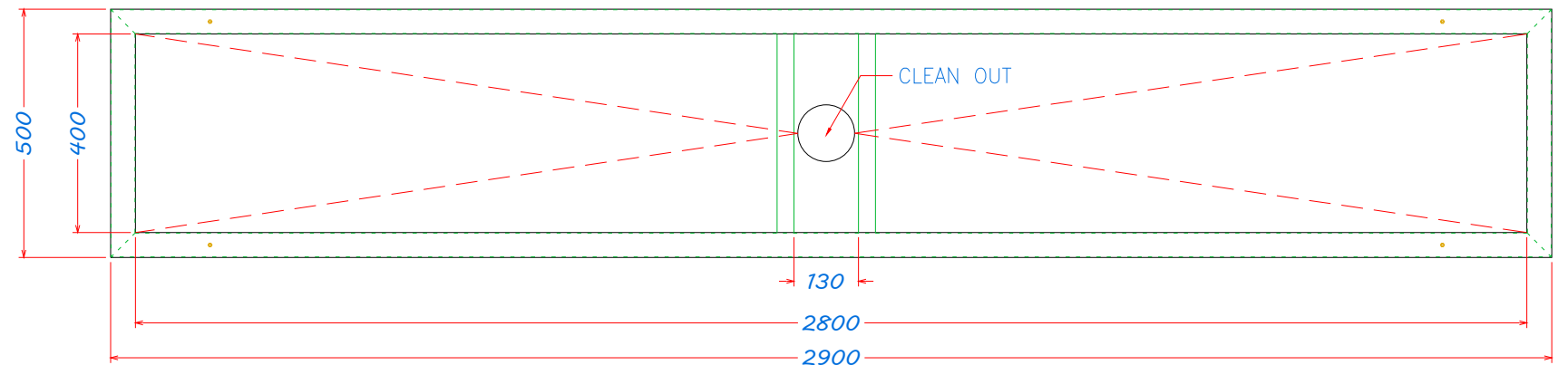
DETAIL SUPPORT 2
WATER TROUGH



DETAIL SUPPORT 3
WATER TROUGH



DETAIL SUPPORT 1
WATER TROUGH



DETAIL: WATER TROUGH TYPE 2

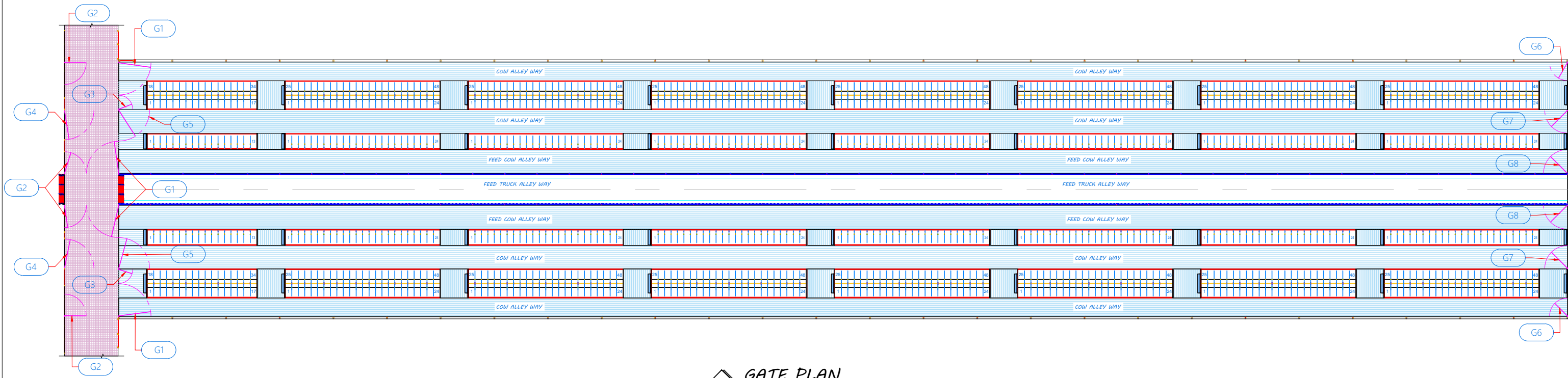
REVISION	1	08 - 12 - 2025	6
	2	12 - 12 - 2025	7
	3		8
	4		9
	5		10

PROJECT :	UNION PASTORAL 393 Cooramook Rd Grassmere VIC 3281 Australia
DRAWING TITLE :	DETAIL WATER TROUGH TYPE 2

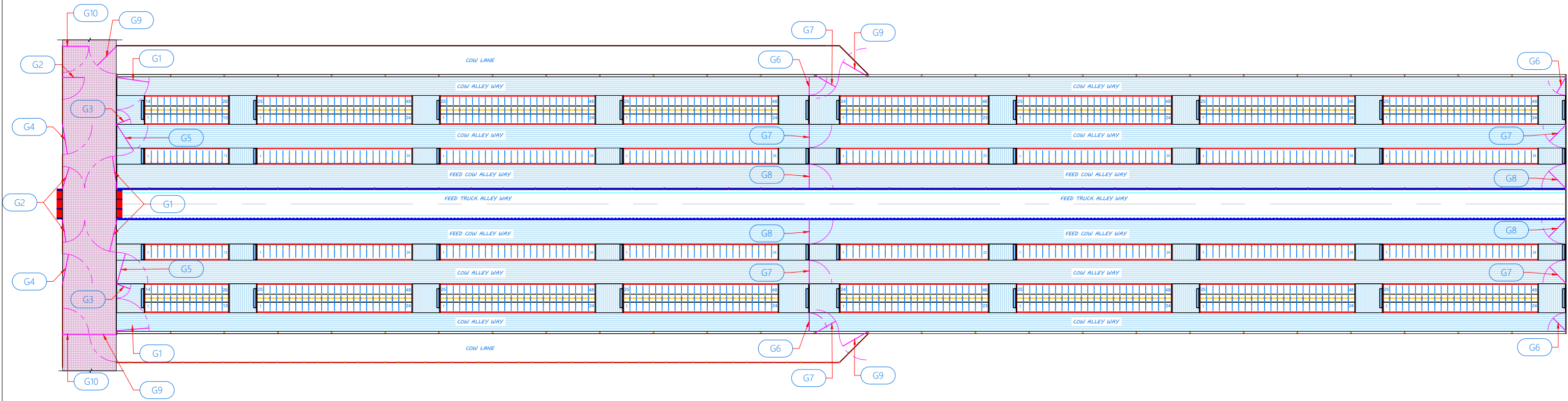
PT. AGRI SERVIS SAKTI

PT. AGRI SERVIS SAKTI
DAIRY CONSULTANT & EQUIPMENT
agriservis@yahoo.com
Perum Bukit Hijau Blok B Kav. 39 Tlogomas, Malang
Tel: +62 341 553515, Fax: +62 341 557430

SCALE	-								
DRAWN	AP								
CHECKED BY	BRENDAN COLLINS								
APPROVED BY									
DRAWING NO :	C - WT - DET06								
1	2	3	4	5	6	7	8	9	10



GATE PLAN
LACTATION BARN 2 - 4



GATE PLAN
LACTATION BARN 1

REVISION	1	12 - 12 - 2025	6
	2	06 - 02 - 2026	7
	3		8
	4		9
	5		10

PROJECT :
UNION PASTORAL
393 Cooramook Rd
Grassmere VIC 3281
Australia

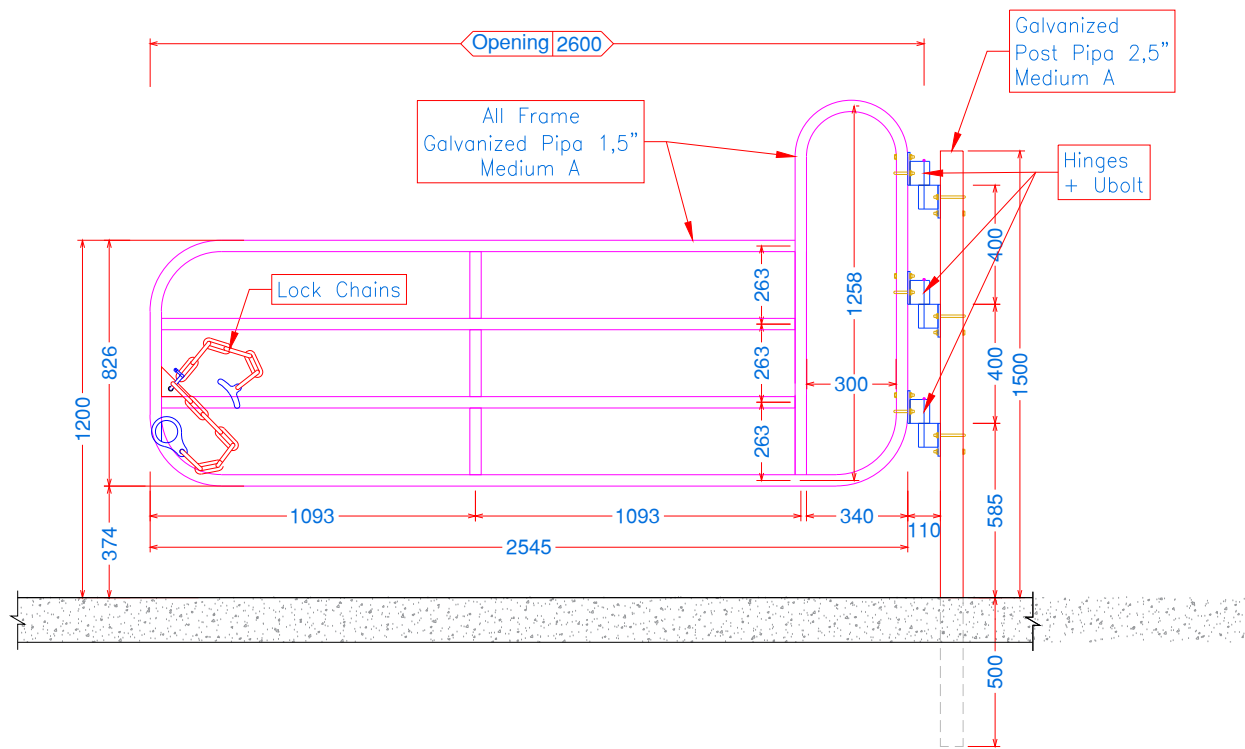
DRAWING TITLE :
GATE PLAN
Lactation Barn



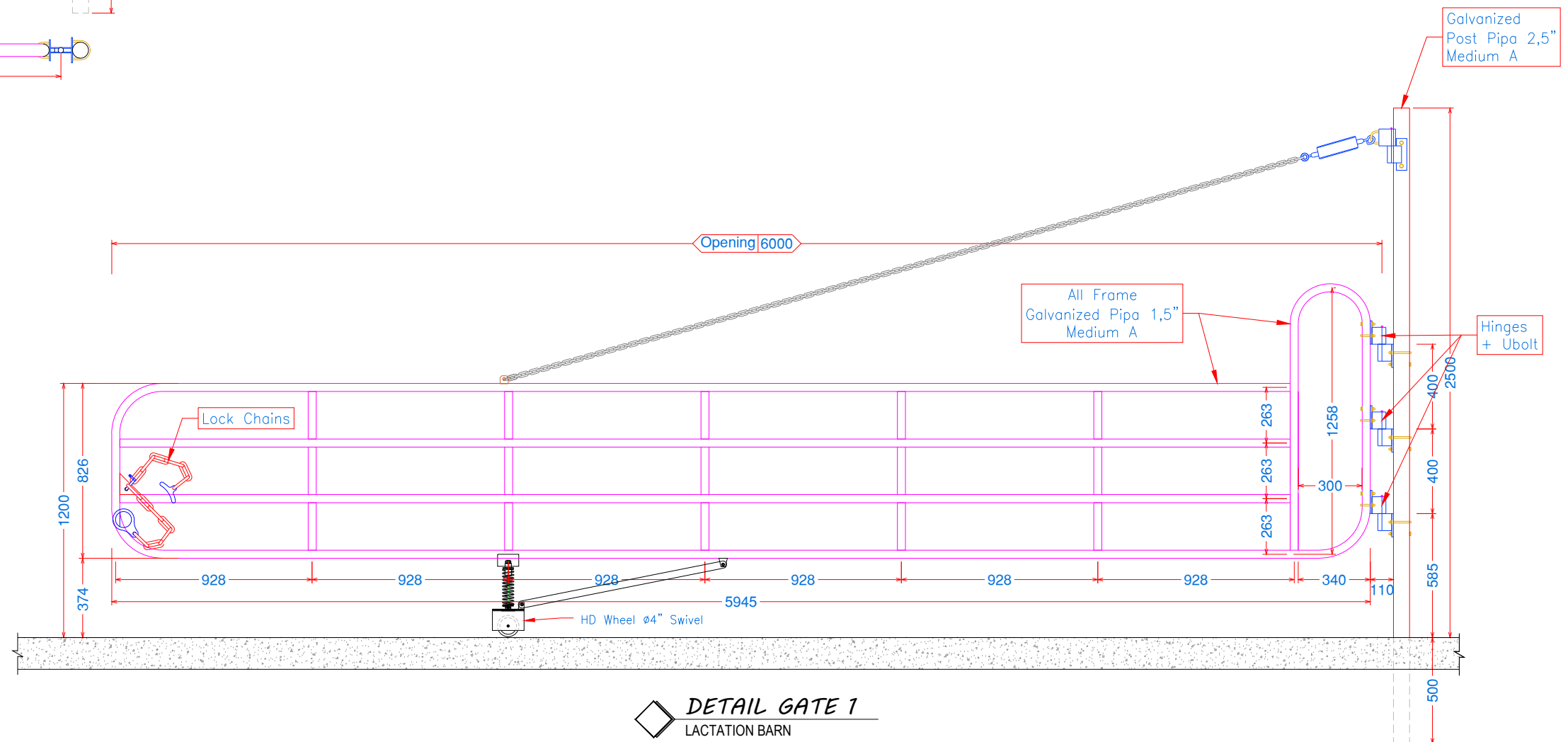
PT. AGRI SERVIS SAKTI
DAIRY CONSULTANT & EQUIPMENT
agriservis@yahoo.com
Perum Bukit Hijau Blok B Kav. 39 Tlogomas, Malang
Tel:+62 341 553515, Fax:+62 341 557430

FILE NAME : Masterplan Union Pastrol (06-02-26)1.dwg

SCALE	-
DRAWN	AP
CHECKED BY	BRENDAN COLLINS
APPROVED BY	
DRAWING NO :	C - GT - PL01
1	2
3	4
5	6
7	8
9	10



DETAIL GATE 3
LACTATION BARN



DETAIL GATE 1
LACTATION BARN

REVISION	1	12 - 12 - 2025	6
	2		7
	3		8
	4		9
	5		10

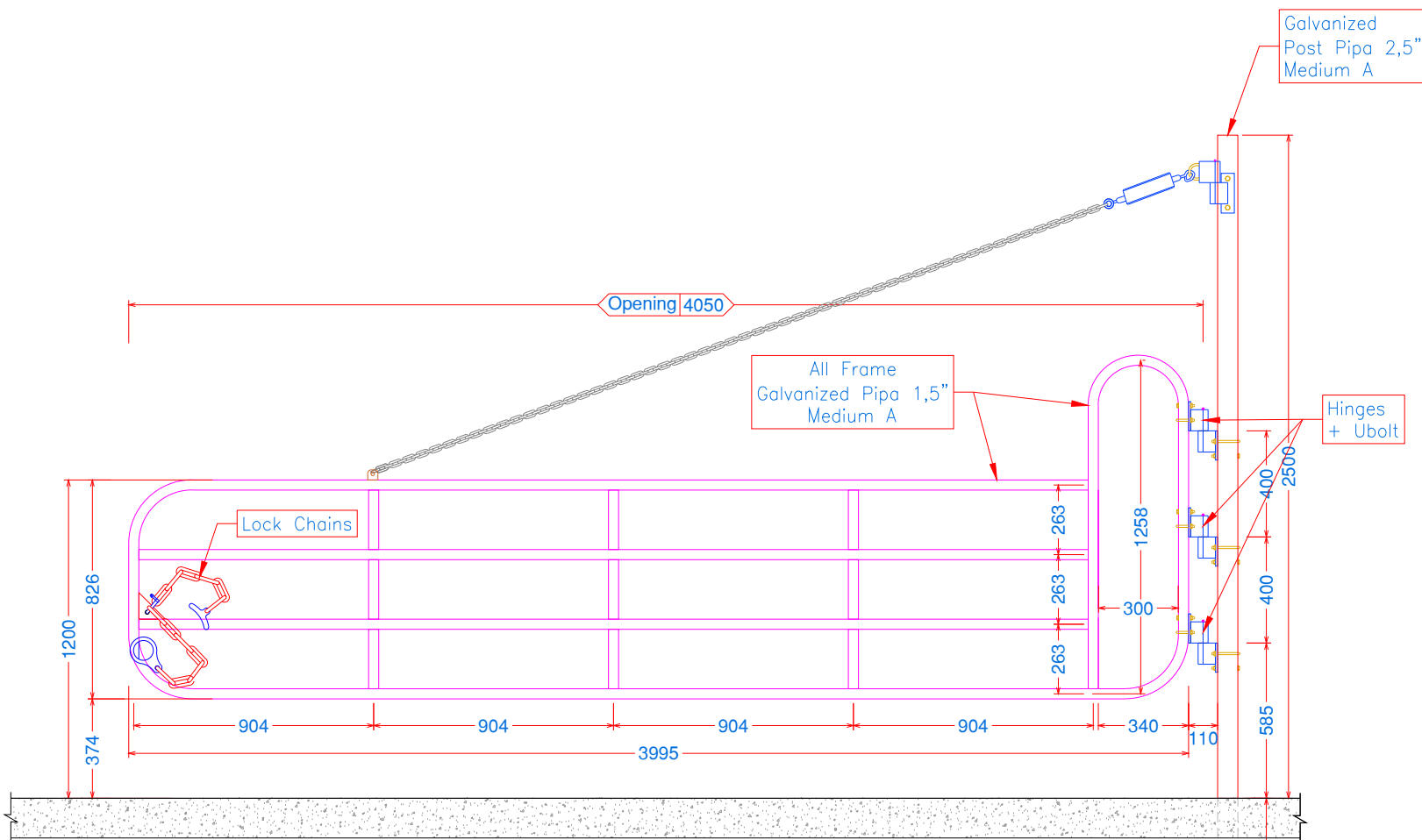
PROJECT :	UNION PASTORAL 393 Cooramook Rd Grassmere VIC 3281 Australia
DRAWING TITLE :	GATE DETAIL 1 LACTATION BARN

PT. AGRI SERVIS SAKTI
DAIRY CONSULTANT & EQUIPMENT
agriservis@yahoo.com
Perum Bukit Hijau Blok B Kav. 39 Tlogomas, Malang
Tel:+62 341 553515, Fax:+62 341 557430

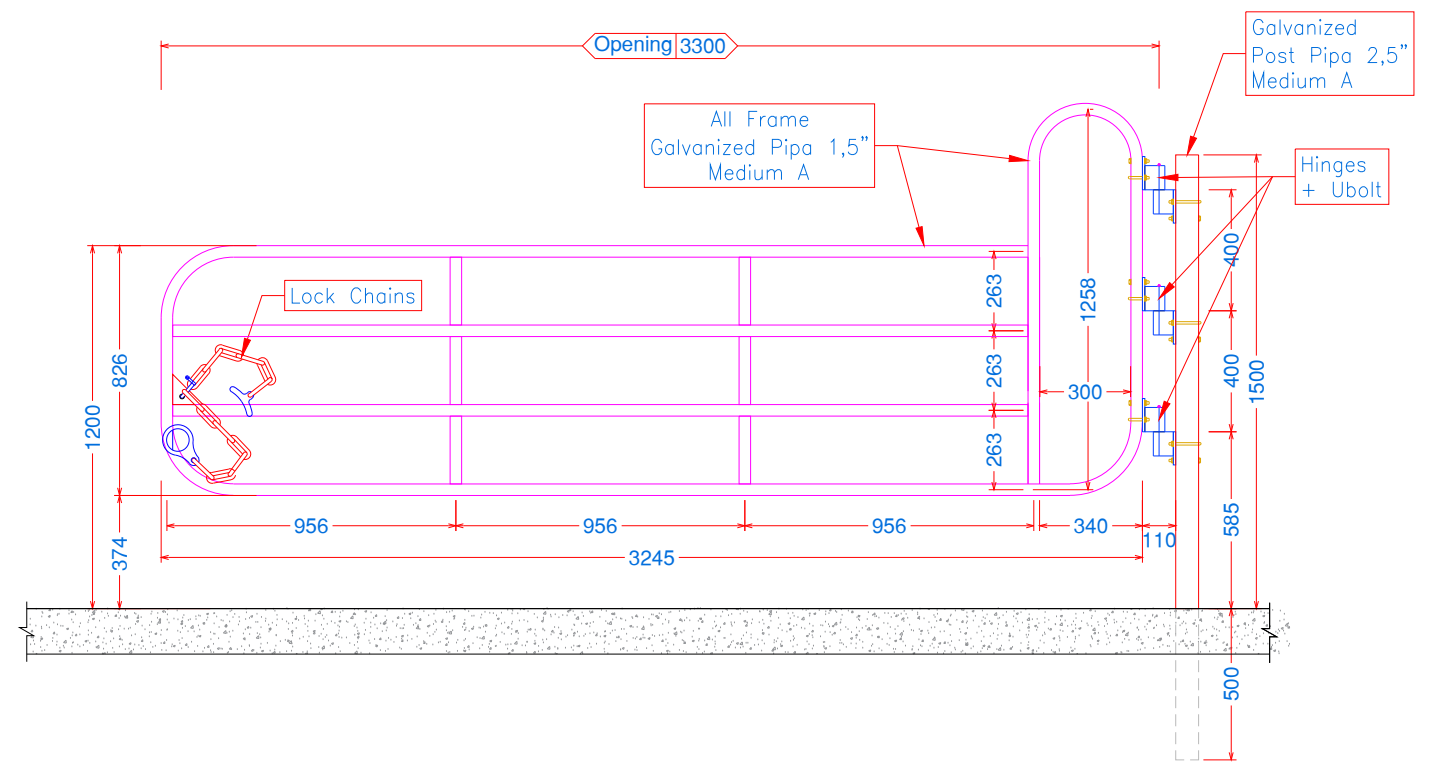
FILE NAME : Masterplan Union Pastrol (06-02-26)1.dwg

SCALE	-
DRAWN	AP
CHECKED BY	BRENDAN COLLINS
APPROVED BY	
DRAWING NO :	C - GT - DET01

1	2	3	4	5	6	7	8	9	10
---	---	---	---	---	---	---	---	---	----



DETAIL GATE 2
LACTATION BARN



DETAIL GATE 6
LACTATION BARN

REVISION	1	12 - 12 - 2025	6
	2		7
	3		8
	4		9
	5		10

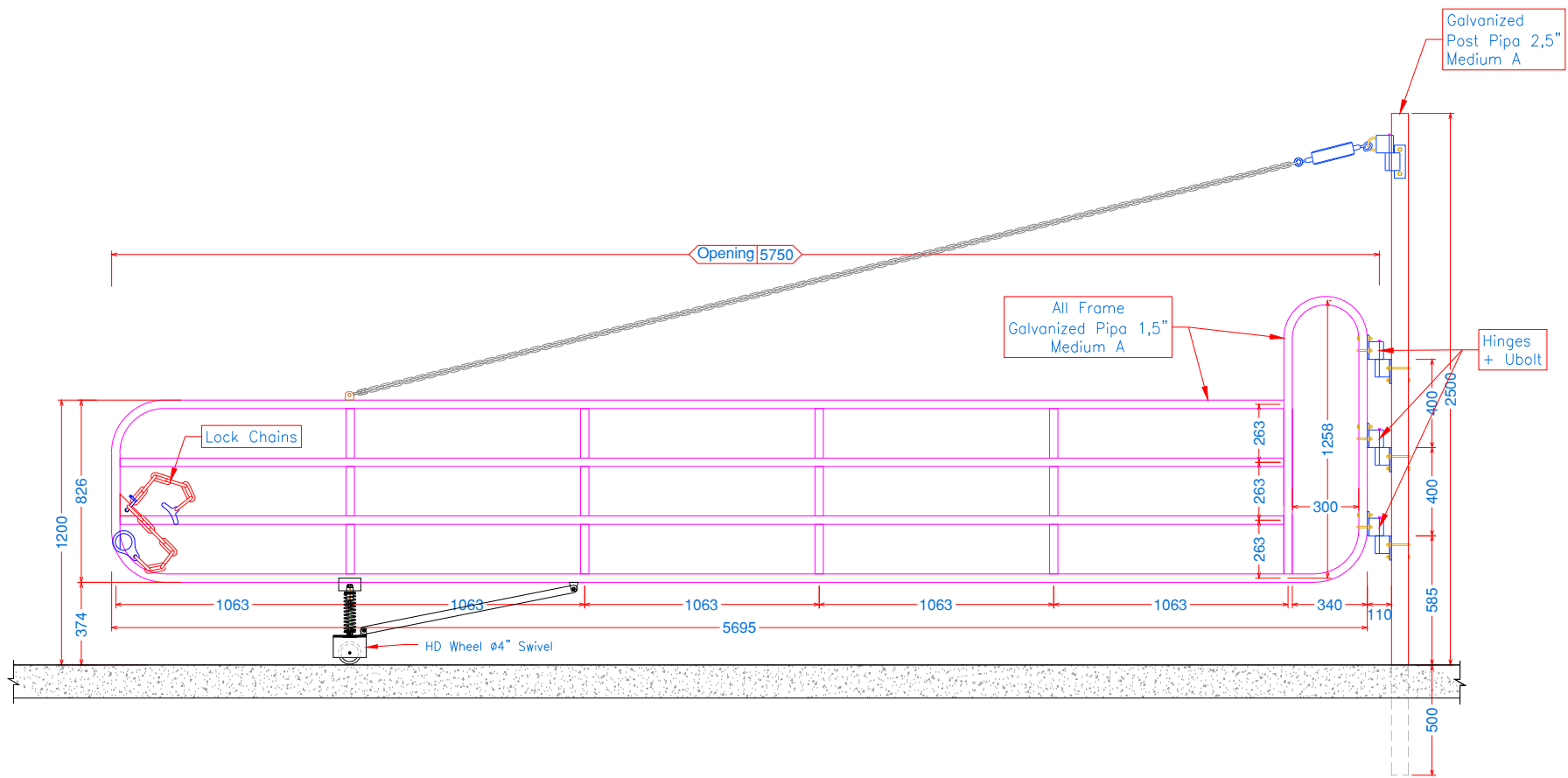
PROJECT :	UNION PASTORAL 393 Cooramook Rd Grassmere VIC 3281 Australia
DRAWING TITLE :	GATE DETAIL 2 LACTATION BARN



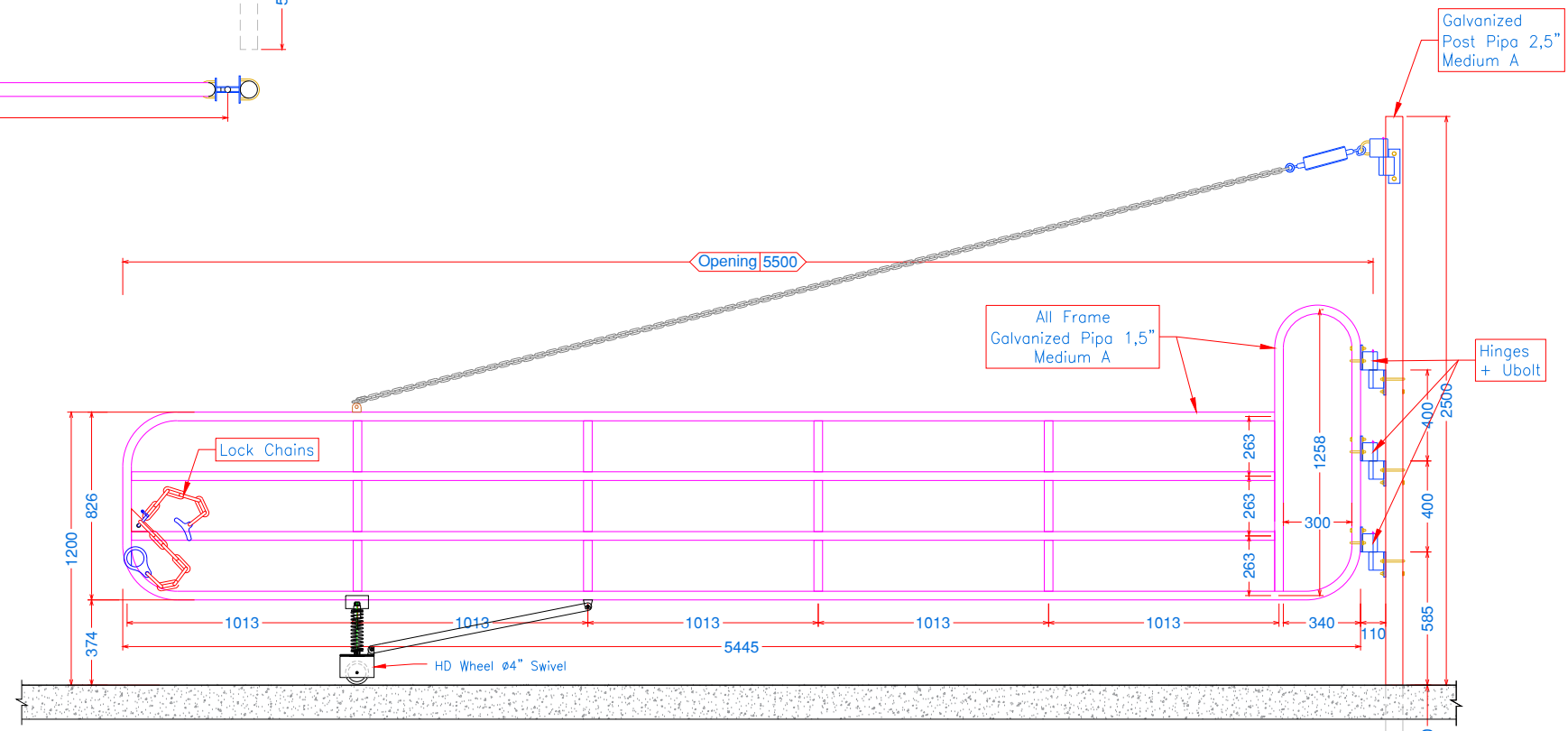
PT. AGRI SERVIS SAKTI
DAIRY CONSULTANT & EQUIPMENT
agriservis@yahoo.com
Perum Bukit Hijau Blok B Kav. 39 Tlogomas, Malang
Tel: +62 341 553515, Fax: +62 341 557430

SCALE	-								
DRAWN	AP								
CHECKED BY	BRENDAN COLLINS								
APPROVED BY									
DRAWING NO :	C - GT - DET02								
1	2	3	4	5	6	7	8	9	10

FILE NAME : Masterplan Union Pastrol (06-02-26)1.dwg



DETAIL GATE 5
LACTATION BARN



DETAIL GATE 4
LACTATION BARN

REVISION	1	12 - 12 - 2025	6
	2		7
	3		8
	4		9
	5		10

PROJECT : **UNION PASTORAL**
393 Cooramook Rd
Grassmere VIC 3281
Australia

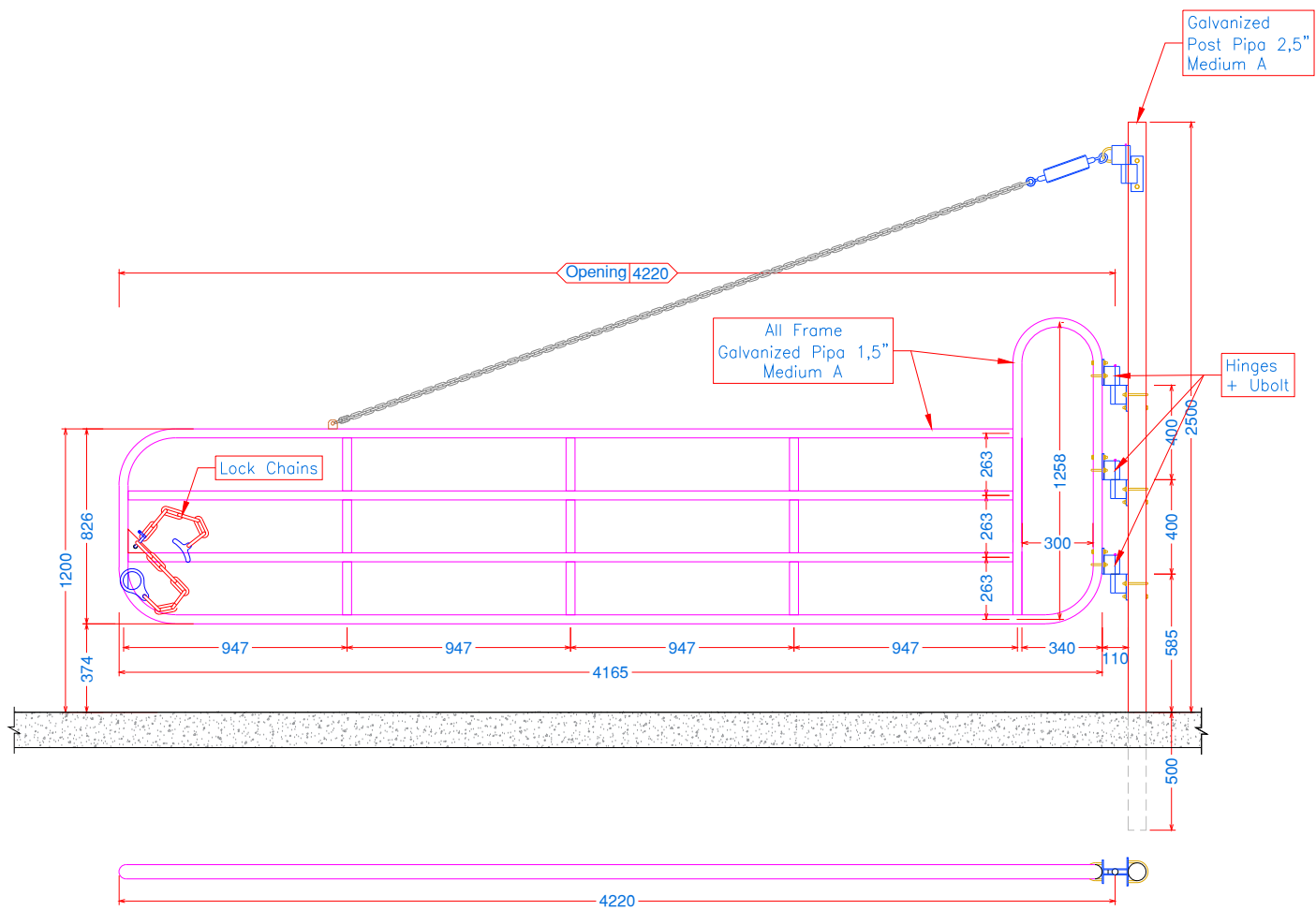
DRAWING TITLE : **GATE DETAIL 3**
LACTATION BARN



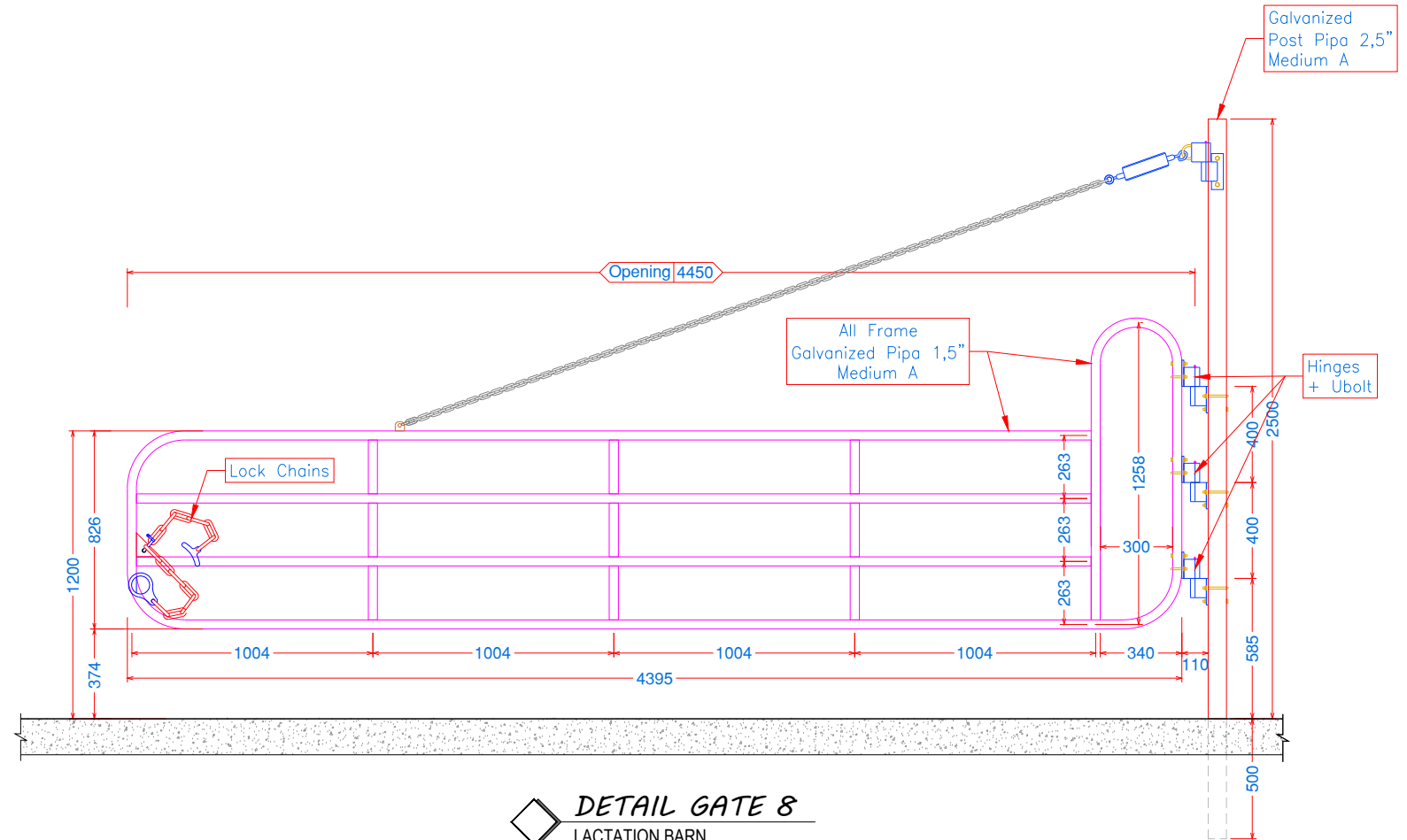
PT. AGRI SERVIS SAKTI
DAIRY CONSULTANT & EQUIPMENT
agriservis@yahoo.com
Perum Bukit Hijau Blok B Kav. 39 Tlogomas, Malang
Tel:+62 341 553515, Fax:+62 341 557430

SCALE	-
DRAWN	AP
CHECKED BY	BRENDAN COLLINS
APPROVED BY	
DRAWING NO :	C - GT - DET03
1	2
3	4
5	6
7	8
9	10

FILE NAME : Masterplan Union Pastrol (06-02-26)1.dwg



DETAIL GATE 7
LACTATION BARN



DETAIL GATE 8
LACTATION BARN

REVISION	1	12 - 12 - 2025	6
	2		7
	3		8
	4		9
	5		10

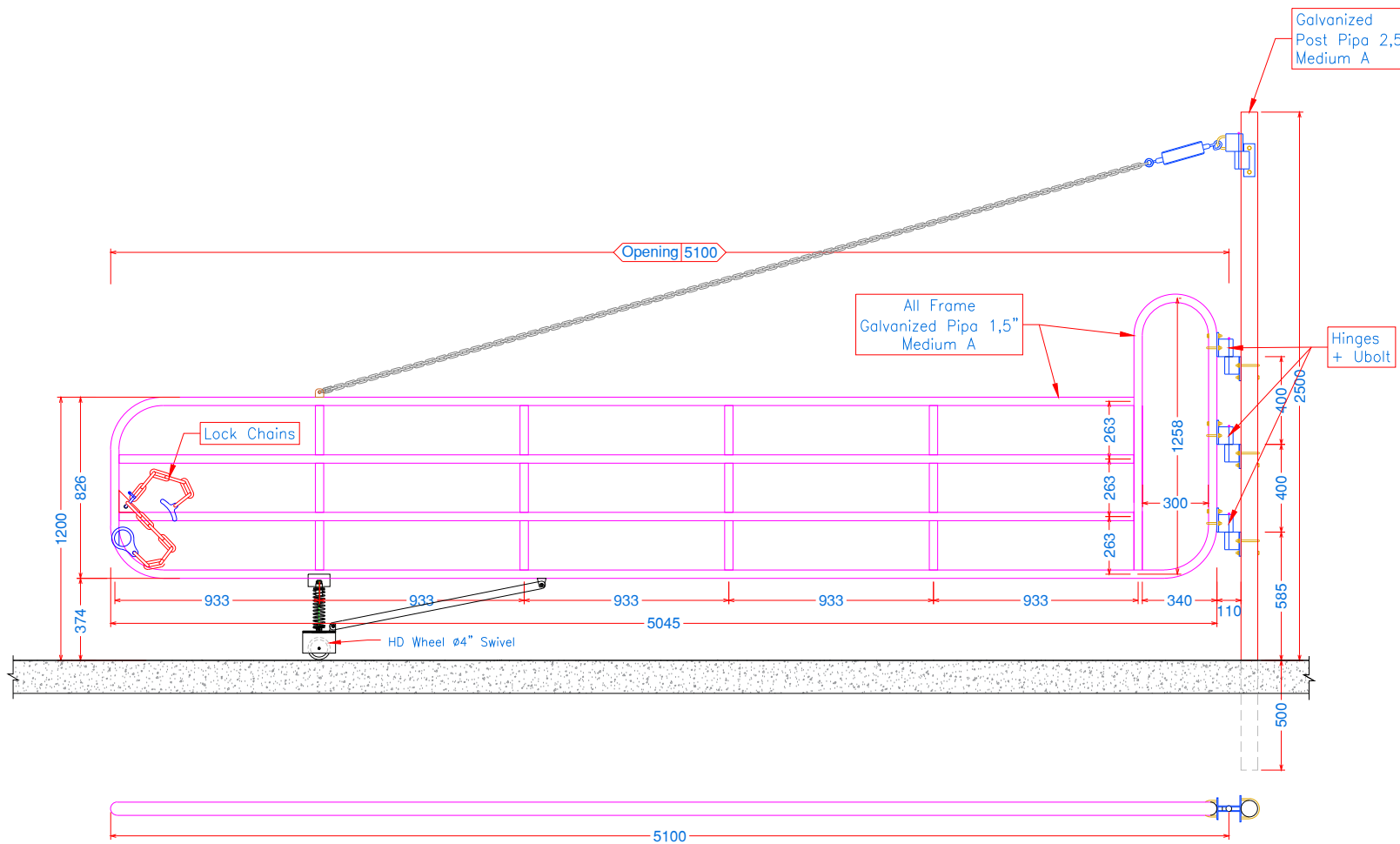
PROJECT :	UNION PASTORAL 393 Cooramook Rd Grassmere VIC 3281 Australia
DRAWING TITLE :	GATE DETAIL 4 LACTATION BARN

PT. AGRI SERVIS SAKTI
DAIRY CONSULTANT & EQUIPMENT
agriservis@yahoo.com
Perum Bukit Hijau Blok B Kav. 39 Tlogomas, Malang
Tel:+62 341 553515, Fax:+62 341 557430

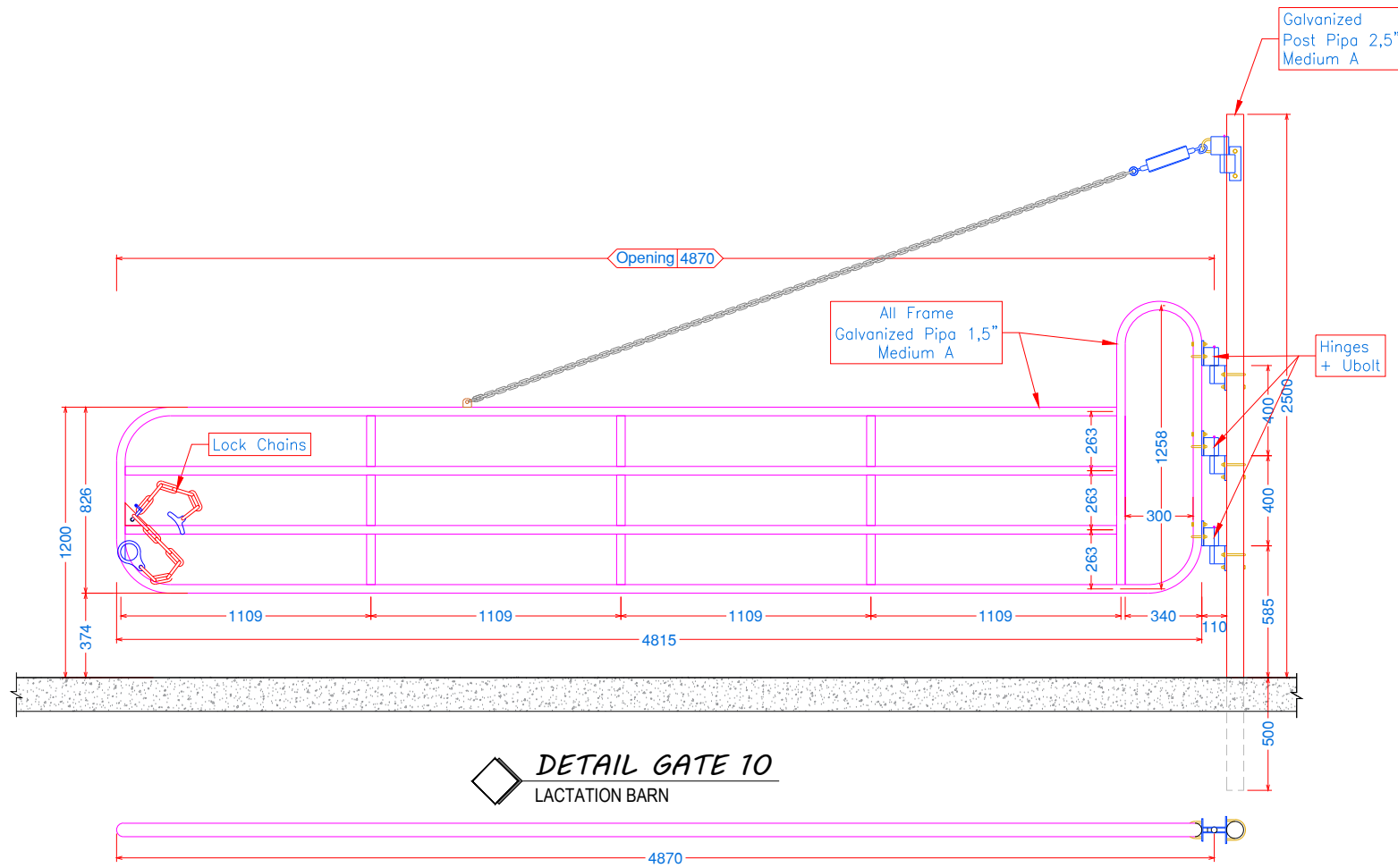
FILE NAME : Masterplan Union Pastrol (06-02-26)1.dwg

SCALE	-
DRAWN	AP
CHECKED BY	BRENDAN COLLINS
APPROVED BY	
DRAWING NO :	C - GT - DET04

1	2	3	4	5	6	7	8	9	10
---	---	---	---	---	---	---	---	---	----



DETAIL GATE 9
LACTATION BARN



DETAIL GATE 10
LACTATION BARN

REVISION	1	12 - 12 - 2025	6
	2		7
	3		8
	4		9
	5		10

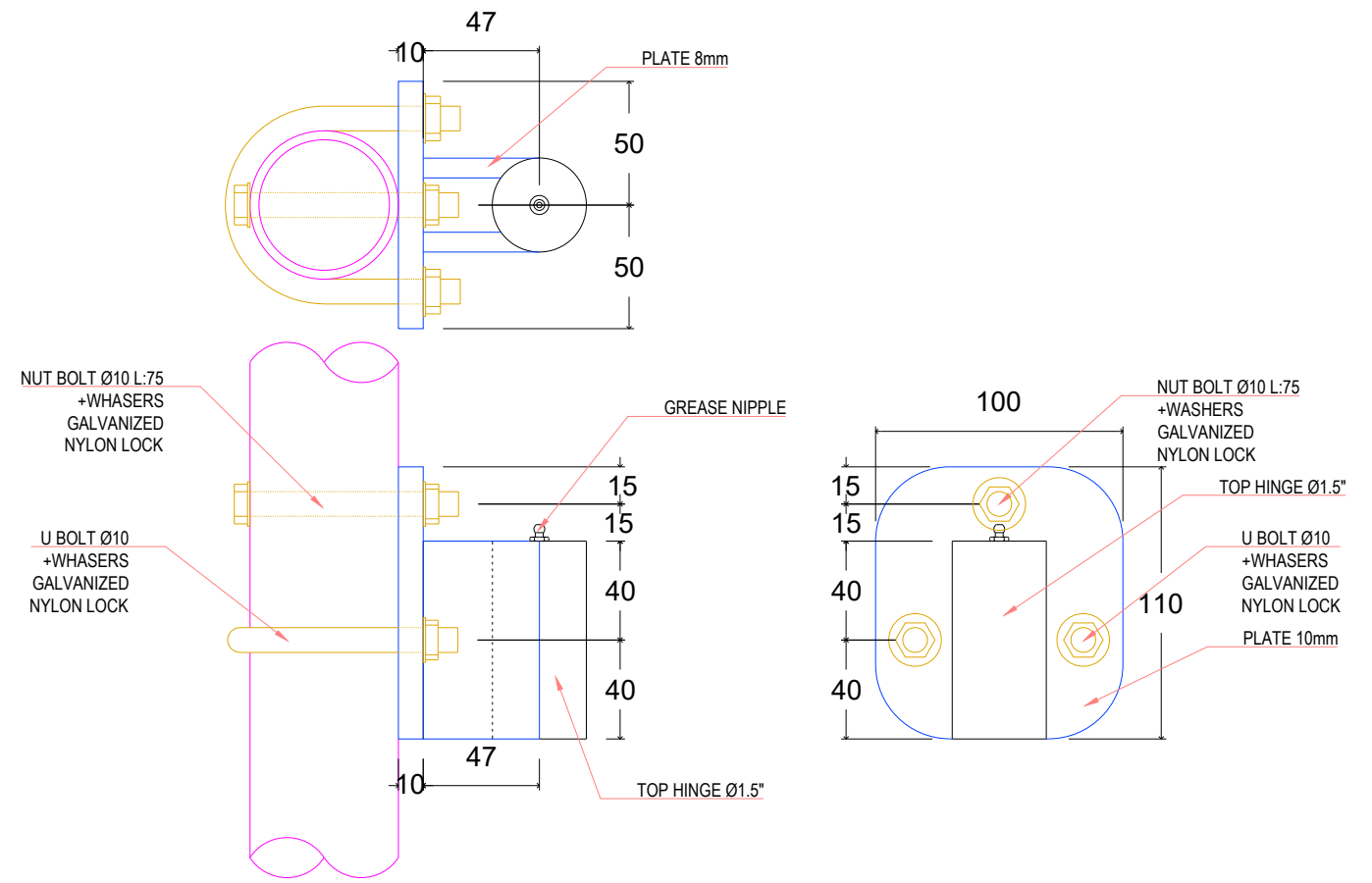
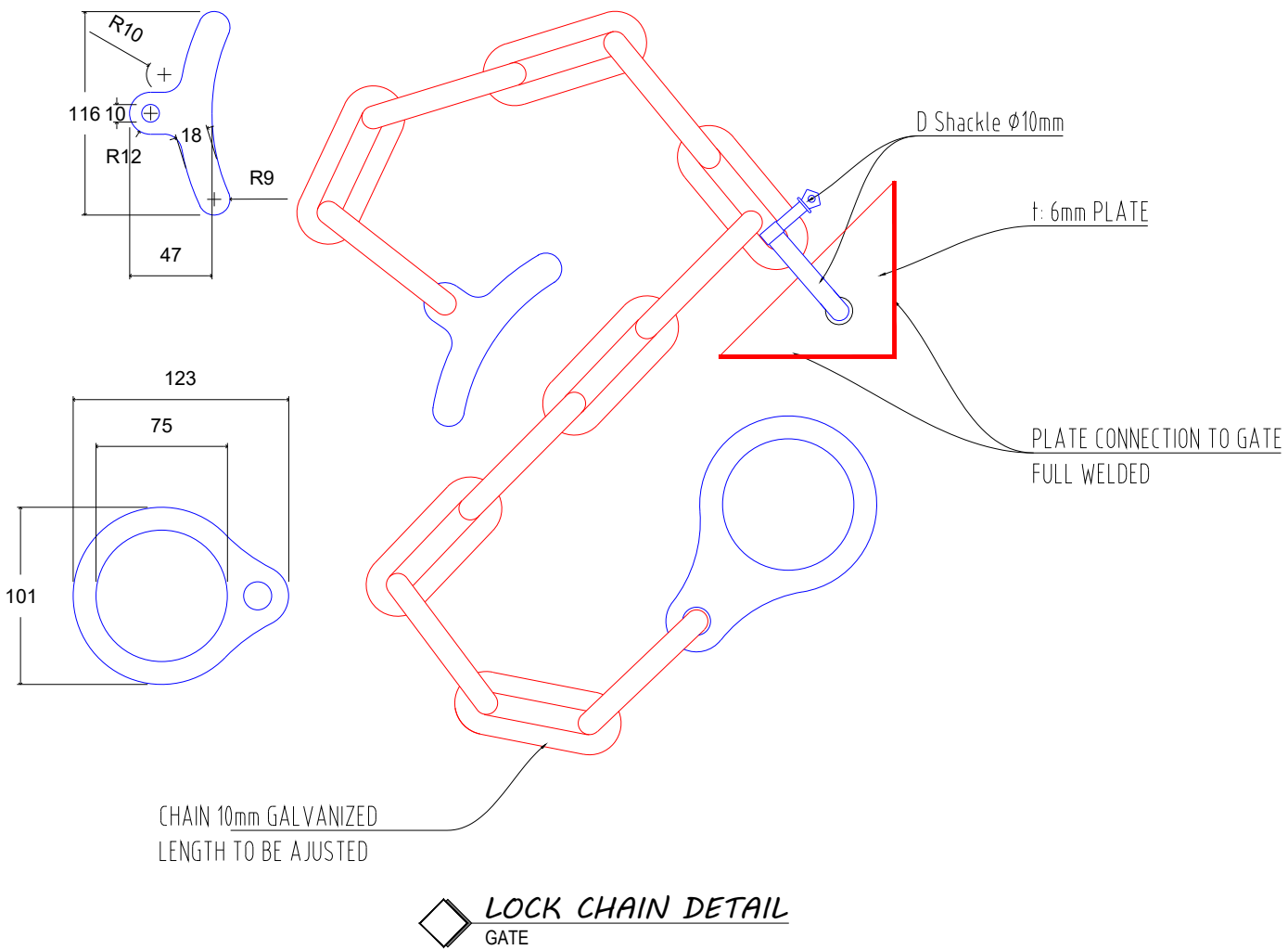
PROJECT :	UNION PASTORAL 393 Cooramook Rd Grassmere VIC 3281 Australia
DRAWING TITLE :	GATE DETAIL 5 LACTATION BARN

PT. AGRI SERVIS SAKTI
DAIRY CONSULTANT & EQUIPMENT
agriservis@yahoo.com
Perum Bukit Hijau Blok B Kav. 39 Tlogomas, Malang
Tel:+62 341 553515, Fax:+62 341 557430

FILE NAME : Masterplan Union Pastrol (06-02-26)1.dwg

SCALE	-
DRAWN	AP
CHECKED BY	BRENDAN COLLINS
APPROVED BY	
DRAWING NO :	C - GT - DET05

1	2	3	4	5	6	7	8	9	10
---	---	---	---	---	---	---	---	---	----



REVISION	1	12 - 12 - 2025	6
	2		7
	3		8
	4		9
	5		10

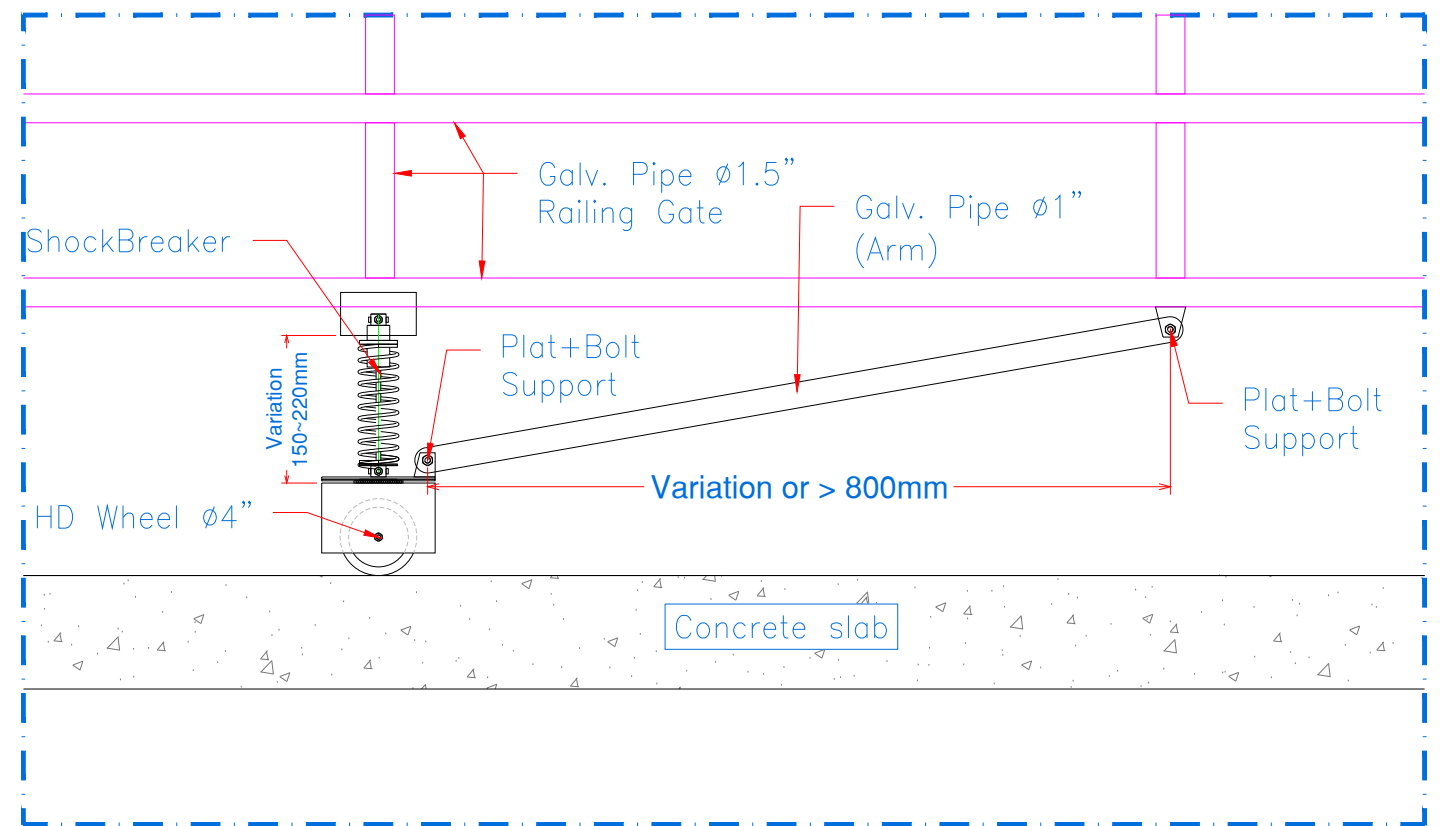
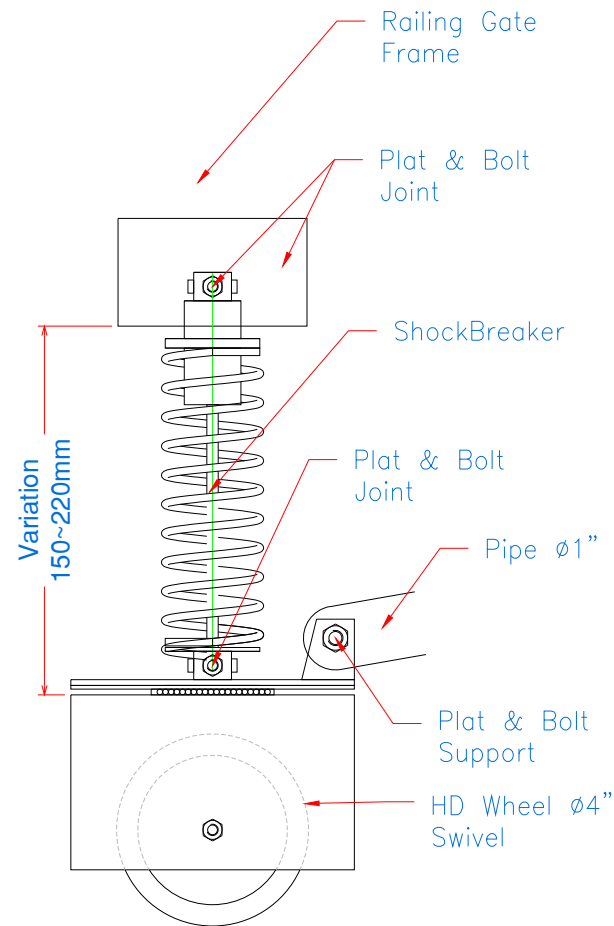
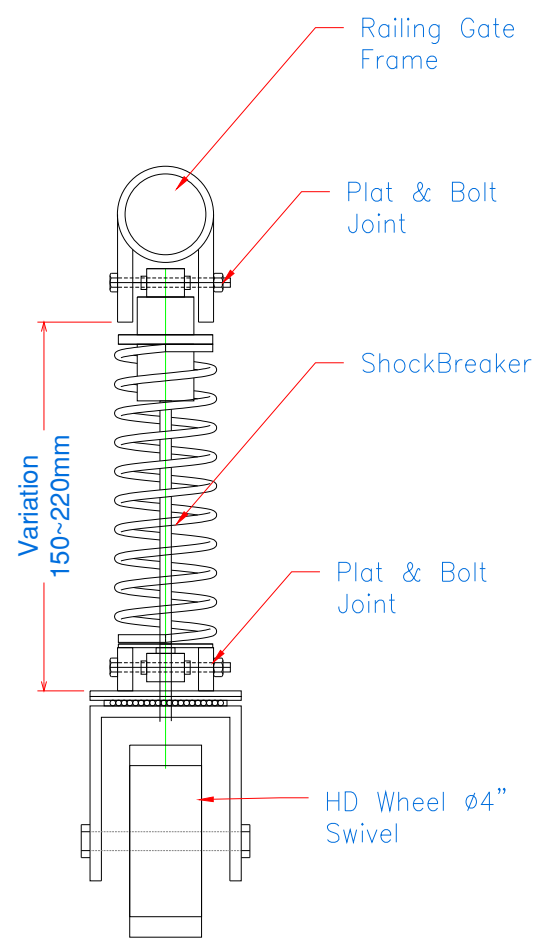
PROJECT :	UNION PASTORAL 393 Cooramook Rd Grassmere VIC 3281 Australia
DRAWING TITLE :	CHAIN LOCK & HINGE GATE DETAIL

PT. AGRI SERVIS SAKTI
DAIRY CONSULTANT & EQUIPMENT
agriservis@yahoo.com
Perum Bukit Hijau Blok B Kav. 39 Tlogomas, Malang
Tel:+62 341 553515, Fax:+62 341 557430

FILE NAME : Masterplan Union Pastrol (06-02-26)1.dwg

SCALE	-
DRAWN	AP
CHECKED BY	BRENDAN COLLINS
APPROVED BY	
DRAWING NO :	C - GT - DET06

1	2	3	4	5	6	7	8	9	10
---	---	---	---	---	---	---	---	---	----



WHEEL & SHOCK BREAKER DETAIL
GATE DETAIL

WHEEL & SHOCK BREAKER POSITION
GATE DETAIL

REVISION	1	12 - 12 - 2025	6
	2		7
	3		8
	4		9
	5		10

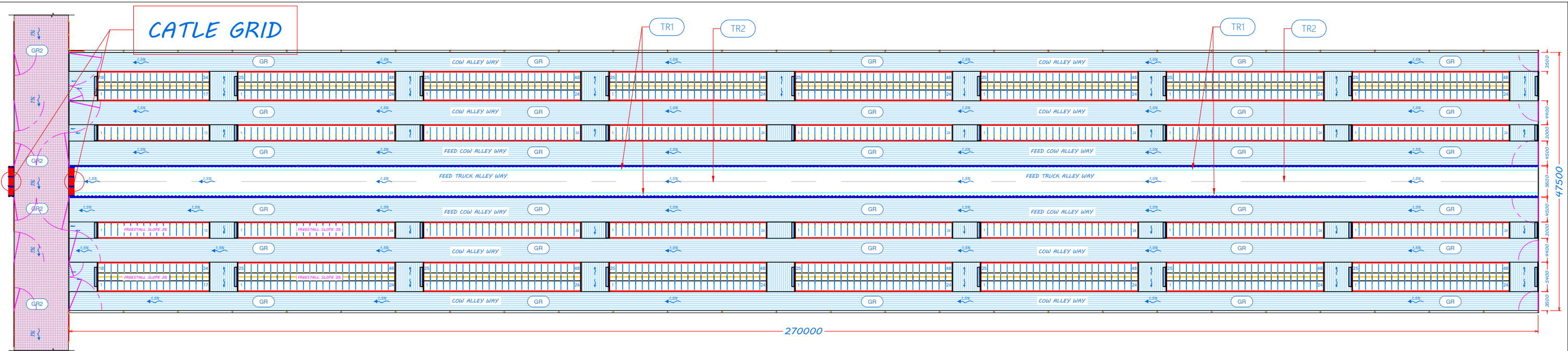
PROJECT :	UNION PASTORAL 393 Cooramook Rd Grassmere VIC 3281 Australia
DRAWING TITLE :	CHAIN LOCK & HINGE GATE DETAIL

PT. AGRI SERVIS SAKTI
DAIRY CONSULTANT & EQUIPMENT
agriservis@yahoo.com
Perum Bukit Hijau Blok B Kav. 39 Tlogomas, Malang
Tel:+62 341 553515, Fax:+62 341 557430

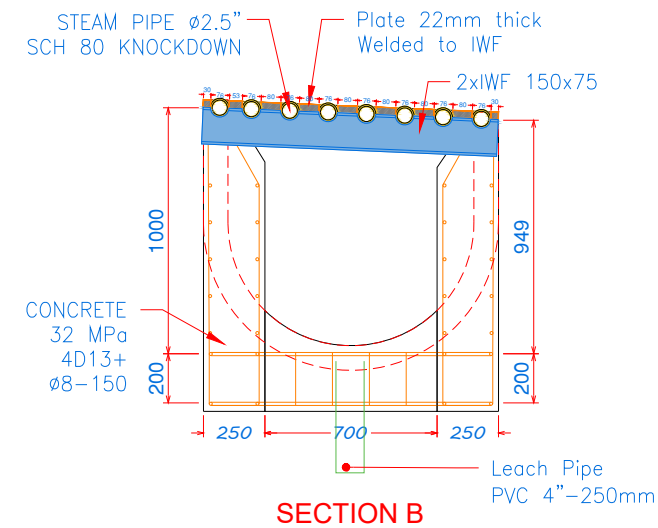
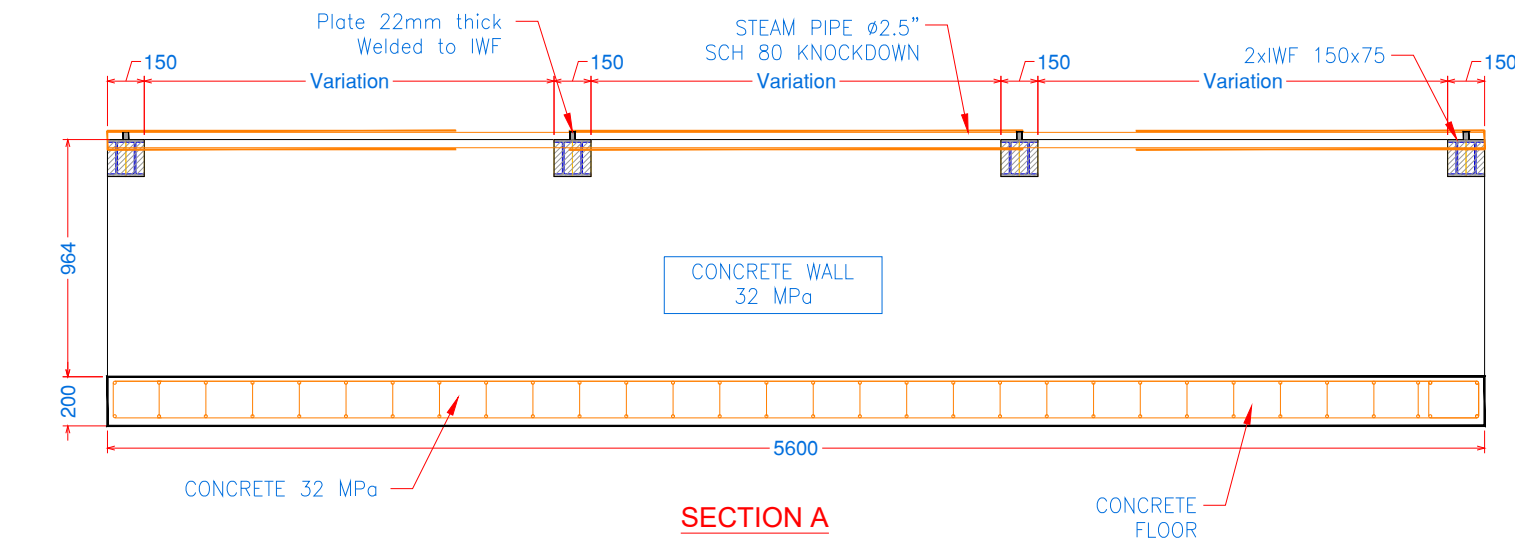
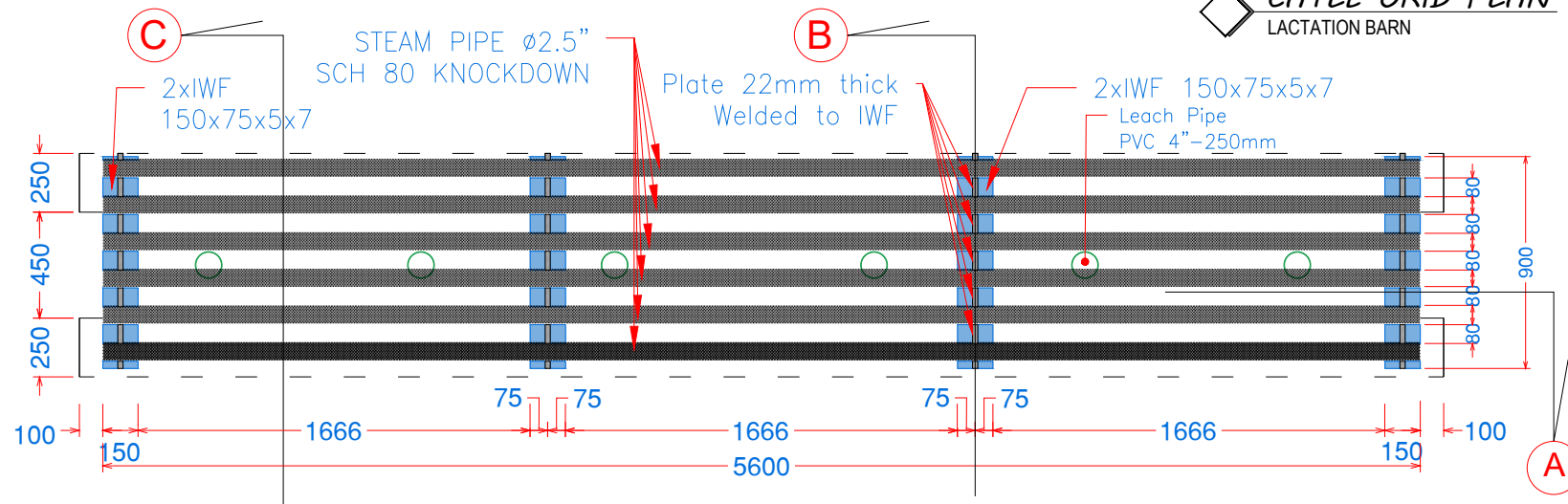
FILE NAME : Masterplan Union Pastrol (06-02-26)1.dwg

PT. AGRI SERVIS SAKTI
DAIRY CONSULTANT & EQUIPMENT
agriservis@yahoo.com
Perum Bukit Hijau Blok B Kav. 39 Tlogomas, Malang
Tel:+62 341 553515, Fax:+62 341 557430

SCALE	-
DRAWN	AP
CHECKED BY	BRENDAN COLLINS
APPROVED BY	
DRAWING NO :	C - GT - DET06
	1 2 3 4 5 6 7 8 9 10



CATLE GRID PLAN
LACTATION BARN



DETAIL CATLE GRID
COW LANE

REVISION	1	12 - 12 - 2025	6
	2		7
	3		8
	4		9
	5		10

PROJECT : **UNION PASTORAL**
393 Cooramook Rd
Grassmere VIC 3281
Australia

DRAWING TITLE : **CATTLE GRID COW LANE**



PT. AGRI SERVIS SAKTI
DAIRY CONSULTANT & EQUIPMENT
agriservis@yahoo.com
Perum Bukit Hijau Blok B Kav. 39 Tlogomas, Malang
Tel:+62 341 553515, Fax:+62 341 557430

SCALE	-								
DRAWN	AP								
CHECKED BY	BRENDAN COLLINS								
APPROVED BY									
DRAWING NO :	C - CG - DET01								
1	2	3	4	5	6	7	8	9	10

FILE NAME : Masterplan Union Pastrol (06-02-26)1.dwg